



capacitor contactor, AC-6b 100 kVAr, / 400 V, 3-pole, 83-155 V AC/DC, 50/60 Hz, with integrated varistor, auxiliary contacts: 2 NC, screw terminal, size: S3

product brand name	SIRIUS
product designation	capacitor contactors
product type designation	3RT26
General technical data	
size of contactor	S3
product extension auxiliary switch	Yes
insulation voltage	
• of main circuit with degree of pollution 3 rated value	1 000 V
• of auxiliary circuit with degree of pollution 3 rated value	690 V
surge voltage resistance	
• of main circuit rated value	8 kV
• of auxiliary circuit rated value	6 kV
maximum permissible voltage for protective separation between coil and main contacts according to EN 60947-1	400 V
shock resistance at rectangular impulse	
• at AC	10.3g / 5 ms, 6. g / 10 ms
• at DC	6.7 g / 5 ms, 4g / 10 ms
shock resistance with sine pulse	
• at AC	16.3g / 5 ms, 10.g / 10 ms
• at DC	10.6 g / 5 ms, 6.3 g / 10 ms
mechanical service life (operating cycles)	
• of the contactor with added auxiliary switch block typical	3 000 000
electrical endurance (operating cycles)	120 000
reference code according to IEC 81346-2	Q
Substance Prohibitance (Date)	06/26/2017
Ambient conditions	
installation altitude at height above sea level maximum	2 000 m
ambient temperature	
• during operation	-25 ... +60 °C
• during storage	-55 ... +80 °C
relative humidity minimum	10 %
relative humidity at 55 °C according to IEC 60068-2-30 maximum	95 %
Main circuit	
number of poles for main current circuit	3
number of NO contacts for main contacts	3
number of NC contacts for main contacts	0
operational current at AC-6b at 690 V at ambient temperature 60 °C rated value	144 A
operating reactive power at AC-6b	
• at 230 V at 50/60 Hz at ambient temperature 60 °C rated	19 ... 57 kvar

value	
<ul style="list-style-type: none"> ● at 400 V at 50/60 Hz at ambient temperature 60 °C rated value 	33 ... 100 kvar
<ul style="list-style-type: none"> ● at 500 V at 50/60 Hz at ambient temperature 60 °C rated value 	41 ... 125 kvar
<ul style="list-style-type: none"> ● at 690 V at 50/60 Hz at ambient temperature 60 °C rated value 	57 ... 172 kvar
no-load switching frequency	
<ul style="list-style-type: none"> ● at AC 	500 1/h
<ul style="list-style-type: none"> ● at DC 	500 1/h
operating frequency at AC-6b	
<ul style="list-style-type: none"> ● at 230 V maximum 	150 1/h
<ul style="list-style-type: none"> ● at 240 V maximum 	150 1/h
<ul style="list-style-type: none"> ● at 400 V maximum 	60 1/h
<ul style="list-style-type: none"> ● at 480 V maximum 	40 1/h
<ul style="list-style-type: none"> ● at 500 V maximum 	40 1/h
<ul style="list-style-type: none"> ● at 600 V maximum 	20 1/h
<ul style="list-style-type: none"> ● at 690 V maximum 	20 1/h
Control circuit/ Control	
type of voltage	AC/DC
type of voltage of the control supply voltage	AC/DC
control supply voltage at AC	
<ul style="list-style-type: none"> ● at 50 Hz rated value 	83 ... 155 V
<ul style="list-style-type: none"> ● at 60 Hz rated value 	83 ... 155 V
control supply voltage frequency	
<ul style="list-style-type: none"> ● 1 rated value 	50 Hz
<ul style="list-style-type: none"> ● 2 rated value 	60 Hz
control supply voltage at DC	
<ul style="list-style-type: none"> ● rated value 	83 ... 155 V
operating range factor control supply voltage rated value of magnet coil at DC	
<ul style="list-style-type: none"> ● initial value 	0.8
<ul style="list-style-type: none"> ● full-scale value 	1.1
operating range factor control supply voltage rated value of magnet coil at AC	
<ul style="list-style-type: none"> ● at 50 Hz 	0.8 ... 1.1
<ul style="list-style-type: none"> ● at 60 Hz 	0.8 ... 1.1
inrush current peak	1.5 A
duration of inrush current peak	50 µs
locked-rotor current mean value	1.1 A
locked-rotor current peak	2.7 A
duration of locked-rotor current	150 ms
holding current mean value	15 mA
apparent pick-up power of magnet coil at AC	163 VA
apparent holding power of magnet coil at AC	3.1 VA
closing power of magnet coil at DC	76 W
holding power of magnet coil at DC	1.8 W
closing delay	
<ul style="list-style-type: none"> ● at AC 	50 ... 70 ms
<ul style="list-style-type: none"> ● at DC 	50 ... 70 ms
opening delay	
<ul style="list-style-type: none"> ● at AC 	38 ... 57 ms
<ul style="list-style-type: none"> ● at DC 	38 ... 57 ms
arcing time	10 ... 20 ms
control version of the switch operating mechanism	Standard A1 - A2
Auxiliary circuit	
number of NC contacts for auxiliary contacts	2
<ul style="list-style-type: none"> ● attachable 	1
<ul style="list-style-type: none"> ● instantaneous contact 	2
number of NO contacts for auxiliary contacts	0
<ul style="list-style-type: none"> ● attachable 	1
<ul style="list-style-type: none"> ● instantaneous contact 	0

operational current of auxiliary contacts at AC-12 maximum	10 A
operational current of auxiliary contacts at AC-15	
• at 230 V	6 A
• at 400 V	3 A
• at 690 V	0 A
operational current of auxiliary contacts at DC-13	
• at 24 V	6 A
• at 60 V	2 A
• at 110 V	1 A
• at 125 V	0.9 A
• at 220 V	0.3 A
contact reliability of auxiliary contacts	0.00000001
UL/CSA ratings	
contact rating of auxiliary contacts according to UL	A600 / Q600
Short-circuit protection	
design of the fuse link	
• for short-circuit protection of the main circuit with type of coordination 1 required	gG: 250 A (690 V, 50 kA)
• for short-circuit protection of the auxiliary switch required	gG: 10 A (500 V, 1 kA)
Installation/ mounting/ dimensions	
mounting position	+/-180° rotation possible on vertical mounting surface; can be tilted forward and backward by +/- 22.5° on vertical mounting surface
fastening method	screw and snap-on mounting onto 35 mm DIN rail according to DIN EN 50022
height	140 mm
width	80 mm
depth	152 mm
required spacing	
• with side-by-side mounting at the side	10 mm
• for grounded parts at the side	10 mm
Connections/ Terminals	
type of electrical connection	
• for main current circuit	screw-type terminals
• for auxiliary and control circuit	screw-type terminals
• at contactor for auxiliary contacts	Screw-type terminals
• of magnet coil	Screw-type terminals
type of connectable conductor cross-sections for main contacts	
• solid	2x (10 ... 16 mm ²)
• stranded	2x (10 ... 70 mm ²), 1x (10 ... 70 mm ²)
• solid or stranded	2x (10 ... 70 mm ²), 1x (10 ... 70 mm ²)
• finely stranded with core end processing	2x (10 ... 50 mm ²)
type of connectable conductor cross-sections	
• for auxiliary contacts	
— solid	2x (0.5 ... 1.5 mm ²), 2x (0.75 ... 2.5 mm ²), 2x 4 mm ²
— solid or stranded	2x (0.5 ... 1.5 mm ²), 2x (0.75 ... 2.5 mm ²), 2x 4 mm ²
— finely stranded with core end processing	2x (0.5 ... 1.5 mm ²), 2x (0.75 ... 2.5 mm ²)
• for AWG cables for auxiliary contacts	2x (20 ... 16), 2x (18 ... 14), 2x 12
type of minimum connectable cross-sections for main contacts at AC-6b	
• at 40 °C	1x 70 mm ²
• at 60 °C	2x 50 mm ²
AWG number as coded connectable conductor cross section for main contacts	8
Safety related data	
product function	
• mirror contact according to IEC 60947-4-1	No
• positively driven operation according to IEC 60947-5-1	No
protection class IP on the front according to IEC 60529	IP20
touch protection on the front according to IEC 60529	finger-safe, for vertical contact from the front
Certificates/ approvals	
General Product Approval	EMC



[Confirmation](#)



[KC](#)



Declaration of Conformity

Test Certificates

Marine / Shipping



EG-Konf.

[Type Test Certificates/Test Report](#)



LRS



PRS



RINA

other

Dangerous Good

[Confirmation](#)

[Transport Information](#)

Further information

Siemens has decided to exit the Russian market (see here).

<https://press.siemens.com/global/en/pressrelease/siemens-wind-down-russian-business>

Siemens is working on the renewal of the current EAC certificates.

Please contact your local Siemens office on the status of validity of the EAC certification if you intend to import or offer to supply these products to an EAC relevant market (other than the sanctioned EAEU member states Russia or Belarus).

Information on the packaging

<https://support.industry.siemens.com/cs/ww/en/view/109813875>

Information- and Downloadcenter (Catalogs, Brochures,...)

<https://www.siemens.com/ic10>

Industry Mall (Online ordering system)

<https://mall.industry.siemens.com/mall/en/en/Catalog/product?mlfb=3RT2646-1NF35>

Cax online generator

<http://support.automation.siemens.com/WW/CAXorder/default.aspx?lang=en&mlfb=3RT2646-1NF35>

Service&Support (Manuals, Certificates, Characteristics, FAQs,...)

<https://support.industry.siemens.com/cs/ww/en/ps/3RT2646-1NF35>

Image database (product images, 2D dimension drawings, 3D models, device circuit diagrams, EPLAN macros, ...)

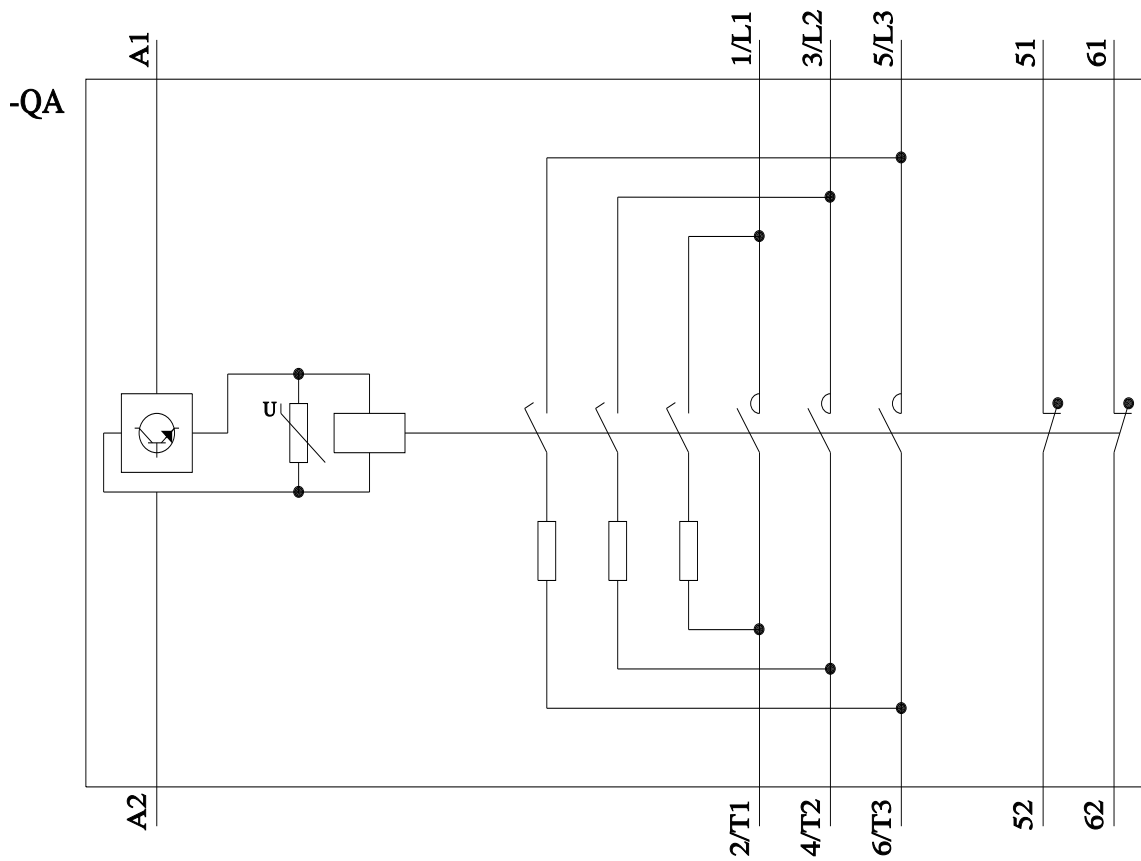
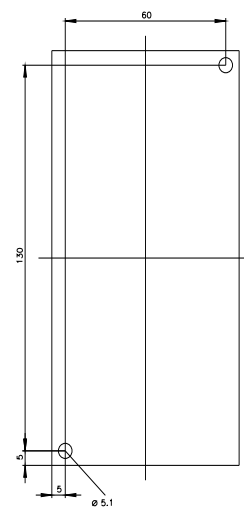
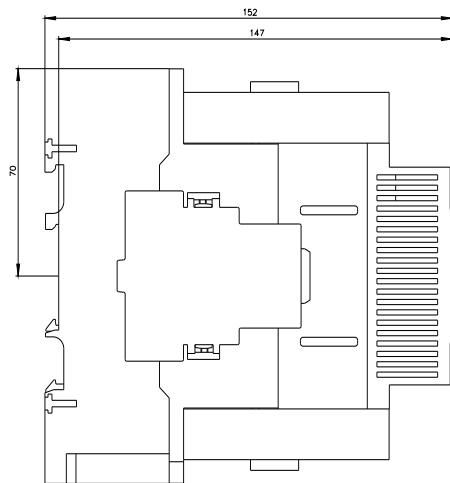
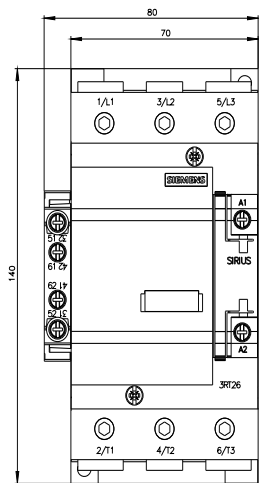
http://www.automation.siemens.com/bilddb/cax_de.aspx?mlfb=3RT2646-1NF35&lang=en

Characteristic: Tripping characteristics, I²t, Let-through current

<https://support.industry.siemens.com/cs/ww/en/ps/3RT2646-1NF35/char>

Further characteristics (e.g. electrical endurance, switching frequency)

<http://www.automation.siemens.com/bilddb/index.aspx?view=Search&mlfb=3RT2646-1NF35&objecttype=14&gridview=view1>



last modified:

11/21/2022

Mouser Electronics

Authorized Distributor

Click to View Pricing, Inventory, Delivery & Lifecycle Information:

[Siemens:](#)

[3RT26461NF35](#)