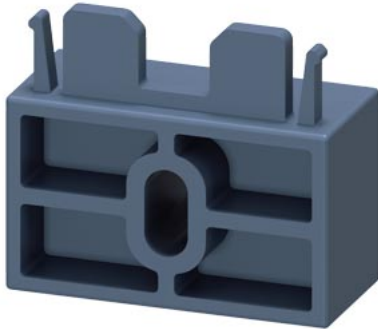


additional mounting base unit for ET 200SP motor starter



product category	Accessories
product designation	Mechanical bracket
design of the product	Mechanical, for ET 200SP
product type designation	Mechanical additional fastening for BaseUnit

General technical data	
product function	acesories
degree of pollution	2
shock resistance	6g / 11 ms
vibration resistance	15 mm to 6 Hz; 2g to 500 Hz
Substance Prohibitance (Date)	04/15/2016
Weight	0.005 kg

Installation/ mounting/ dimensions	
mounting position	vertical, horizontal, flat
fastening method	pluggable on BaseUnit
height	26 mm
width	30 mm
depth	14 mm

Ambient conditions	
ambient temperature	
<ul style="list-style-type: none"> during operation during storage during transport 	<ul style="list-style-type: none"> -25 ... +60 °C -40 ... +70 °C -40 ... +70 °C

Approvals Certificates	
General Product Approval	Test Certificates



EG-Konf.



[Confirmation](#)



UL



[Type Test Certificates/Test Report](#)

Marine / Shipping	other	Environment
-------------------	-------	-------------



LRS

[Confirmation](#)



[Environmental Confirmations](#)

Further information

Information on the packaging
<https://support.industry.siemens.com/cs/ww/en/view/109813875>

Information- and Downloadcenter (Catalogs, Brochures,...)

<https://www.siemens.com/ic10>

Industry Mall (Online ordering system)

<https://mall.industry.siemens.com/mall/en/en/Catalog/product?mlfb=3RK1908-1EA00-1BP0>

Cax online generator

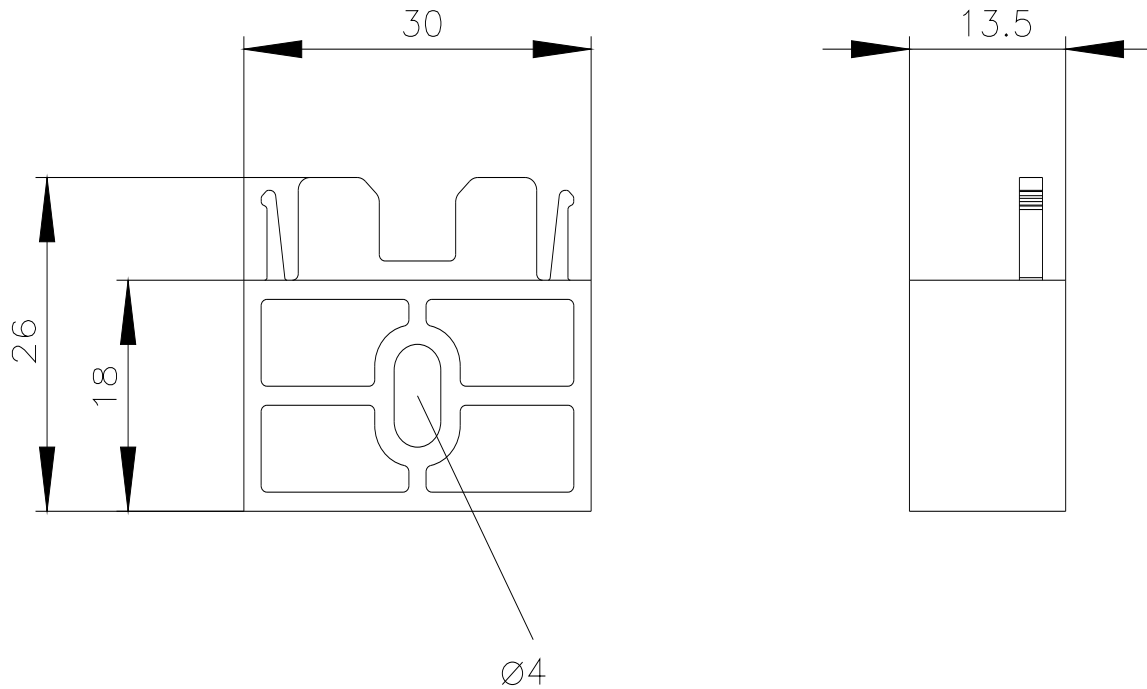
<http://support.automation.siemens.com/WWW/CAXorder/default.aspx?lang=en&mlfb=3RK1908-1EA00-1BP0>

Service&Support (Manuals, Certificates, Characteristics, FAQs,...)

<https://support.industry.siemens.com/cs/ww/en/ps/3RK1908-1EA00-1BP0>

Image database (product images, 2D dimension drawings, 3D models, device circuit diagrams, EPLAN macros, ...)

http://www.automation.siemens.com/bilddb/cax_de.aspx?mlfb=3RK1908-1EA00-1BP0&lang=en



last modified:

8/26/2024 

Mouser Electronics

Authorized Distributor

Click to View Pricing, Inventory, Delivery & Lifecycle Information:

[Siemens:](#)

[3RK19081EA001BP0](#)