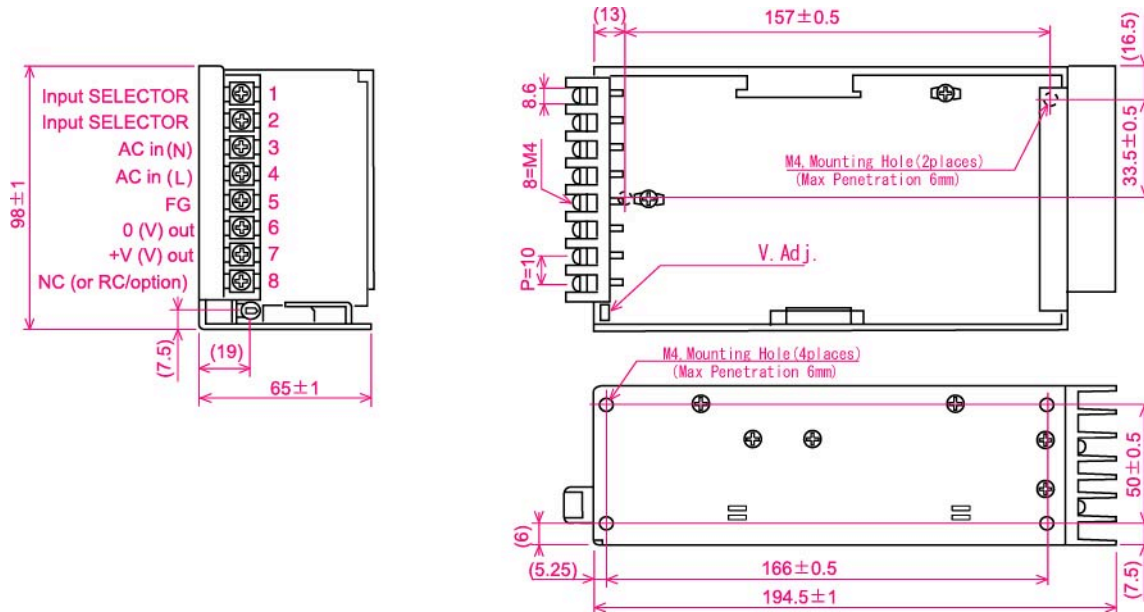


# 240 WATT AC-DC CONVERTER PLE-HSZ SERIES



Specifications <AC/DC>	Model		
	PLE12HSZ	PLE24HSZ	PLE36HSZ
<b>PLE**HSZ</b>			
<b>240WATTS (Peak 300-360W)/SINGLE</b>			
<b>Input Characteristics</b>			
Input Voltage	AC100/200V(by selector)		
Input Range	AC85-132/170-264V(DC220-350V)		
Input Frequency	50/60Hz		
Input Frequency Range	47-440Hz		
Phase	Single		
Inrush Current *1	15A(maximum)at AC100V/30A(maximum) at AC200V		
Efficiency [%] (typical) *2	85/86	88/89	86/87

## Dimension (mm)



## PLE\*\*HSZ Specification

Specifications <AC/DC>	Model		
PLE**HSZ	PLE12HSZ	PLE24HSZ	PLE36HSZ
240WATTS(Peak 300-360W)/SINGLE			
<b>Output Characteristic</b>			
Output Voltage [V]	12	24	36
Output Current [A]	18.0(Peak 25.0)	10.0(Peak 15.0)	6.8(Peak 10.0)
Voltage Adjust Range	+/- 10% of Rated Output Voltage(at no load within the input range)		
Ripple and Noise [mVp-p](maximum) *3	220	340	460
<b>Regulation</b>			
Statistic Line Regulation [mV](maximum)	96	192	288
Statistic Load Regulation [mV](maximum)	108	216	324
Temperature Coefficient *4	0.03%/°C		
Drift[mV](maximum) *5	75	135	195
Dynamic Load Regulation [mV](typical) *6	360	720	1080
Recovery Time *6	0.5mS(typical)		
Rise up time	500mS(maximum) at 25°C and rated input/output		
Hold up time	20mS(minimum) at 25°C and rated input/output		
<b>Functions</b>			
Overcurrent Protection [A](minimum)	Current Limiting with automatic recovery		
	25.5	15.5	10.5
Overvoltage Protection $\geq$ 110% of Rated Output Voltage[V]	Output shutdown (to reset, leave 1minute after shut-off)		
	13.2	26.4	39.6
Remote Sense	not available		
Parallel/series Operation	option		
<b>Environmental</b>			
Operating Temperature *7	0 to +50°C		
Operating Humidity	85%RH(non-condensing)		
Storage Temperature	-40 to +85°C		
Storage Humidity	85%RH(non-condensing)		
Withstanding Voltage	Primary-Secondary AC2,500V for 1minute		
	Primary-Frame Ground AC2,500V for 1minute		
	Secondary-Frame Ground AC500V for 1minute		
Isolation Resistance	Primary-Secondary-Frame Ground 50M $\Omega$ (minimum) by DC500V insulation tester		
Vibration	5-10Hz:10mm double amplitude,10-55Hz:19.6m/s <sup>2</sup> ,20minutes' period for 60minutes		
Shock	294m/s <sup>2</sup>		
Cooling	Convection		
? Leakage Current	1mA(maximum) at 25°C, rated input/output and rated input frequency		
? Line Conducted Noise	Built to meet FCC Part15-B Class B		
? Safety			
Weight (typical)	870g/enclosed type:950g		
? MTBF [H]	530,000		
? Switching Frequency[kHz](typical)	85		

Conditions:

\*1 at cold start

\*2 at AC100/200V input and at 25°C except PLE12SZ

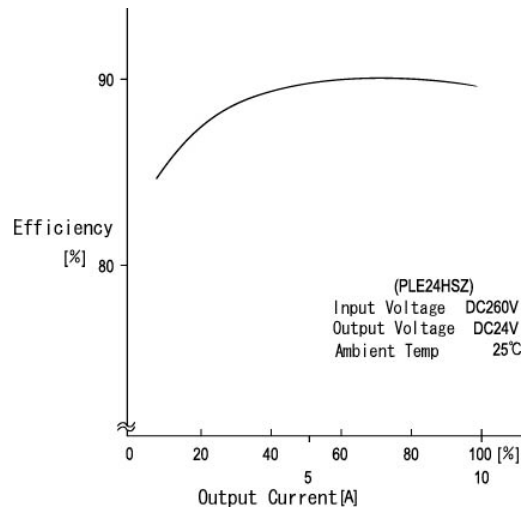
\*3 measured by a bayonet probe at output connector at 0 to 100MHz bandwidth

\*4 at -5 to +50°C

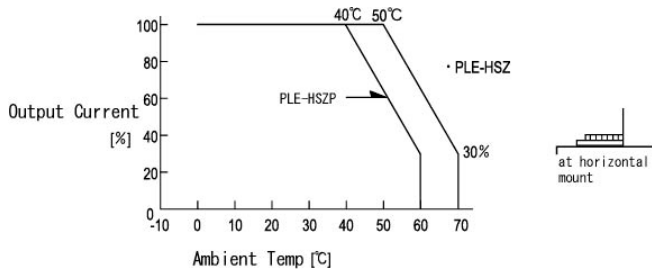
\*5 for 7hour period after 1hour warm-up at 25°C and rated input/output

\*6 when output current changed from 25% and 75% of rated output current rapidly at AC100/200V input

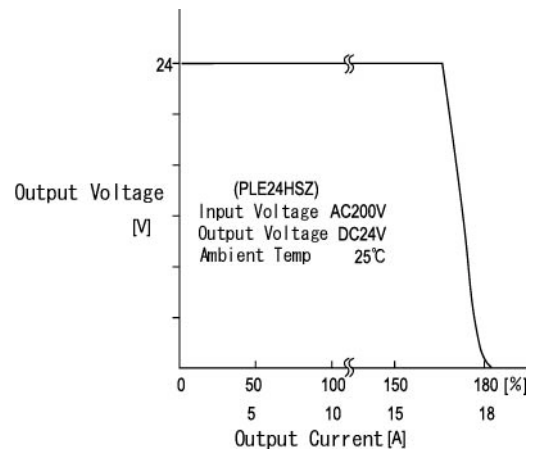
### Efficiency Curve



### Derating Curve



### OCP Curve



# Mouser Electronics

Authorized Distributor

Click to View Pricing, Inventory, Delivery & Lifecycle Information:

[ETA-USA:](#)

[PLE24HSZ](#) [PLE12HSZ](#) [PLE36HSZ](#) [PLE24HSZ-UP](#)