



## AOJS75

## 75W AC/DC



### Features

- Inrush Current Limit
- Wide Input voltage range
- Universal input voltage 100-240VAC
- Over voltage protection
- Overcurrent protection
- **3 Yr warranty**

CE CB

| MODEL/CHANNEL |                            | Unit         | AOJS75-3.3   | AOJS75-05  | AOJS75-09 | AOJS75-12 |    |
|---------------|----------------------------|--------------|--|--|-----------|-----------|----|
| OUTPUT        | Nominal Voltage            | V            | 3.3  | 5  | 9         | 12        |    |
|               | Current                    | A            | 15   | 12   | 8         | 6         |    |
|               | Rated Power                | W            | 45   | 60   | 72        | 72        |    |
|               | Ripple                     | mV           | 50   | 50   | 100       | 100       |    |
|               | Line Regulations           | mV           | 17   | 25   | 40        | 60        |    |
|               | Load Regulations           | mV           | 66   | 50   | 90        | 60        |    |
|               | Temperature Drift          | mV           | 50   | 75   | 135       | 180       |    |
|               | Ripple & Noise(pk-pk) (*1) | mV           | 80   | 80   | 120       | 120       |    |
|               | Turn-on Time typ.          | ms           | 1500 (AC IN 110/220V, Io=100%)                           |  |           |           |    |
|               | Hold-up Time typ.          | ms           | 14 (AC IN 110/220V, Io=100%)                             |  |           |           |    |
| INPUT         | Voltage, Frequency         | V            | AC100-240(AC88-264), 50/60HZ(47-440Hz) (Universal Input) |  |           |           |    |
|               | Current Typ.               | 110V<br>220V | 1.3<br>0.8   |  |           |           |    |
|               | Efficiency                 | 110V<br>220V | %  | 74   | 78        | 79        | 80 |
|               | Inrush Current Typ.        | 110V<br>220V | A  | 20 (Ta=25°C, Cold Start)<br>40 (Ta=25°C, Cold Start) |           |           |    |





## AOJS75

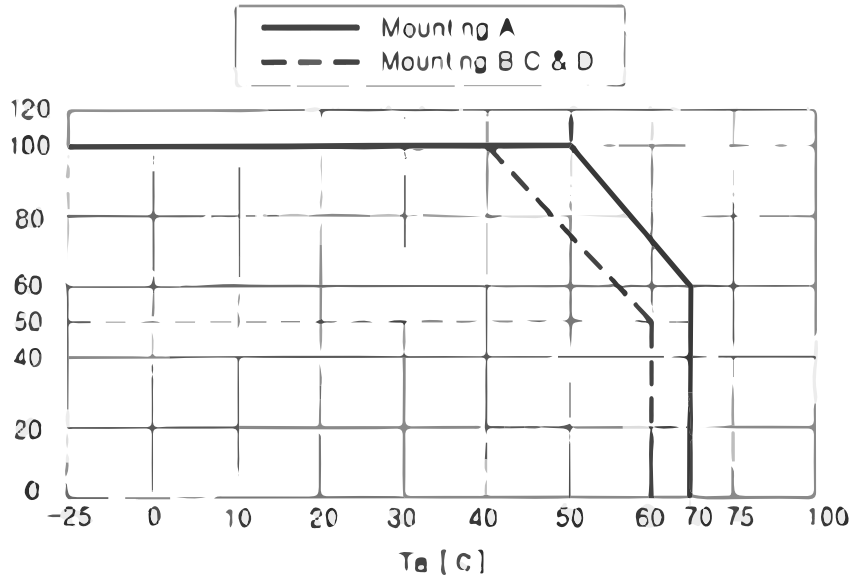
## 75W AC/DC

|                             | MODEL/CHANNEL                | Unit                    | AOJS75-15  | AOJS75-24  | AOJS75-48 |    |
|-----------------------------|------------------------------|-------------------------|--|--|-----------|----|
| <b>OUTPUT</b>               | Nominal Voltage              | V                       | 15   | 24   | 48        |    |
|                             | Current                      | A                       | 5  | 3.2  | 1.6       |    |
|                             | Rated Power                  | mV                      | 75   | 77   | 77        |    |
|                             | Line Regulations             | mV                      | 75   | 120  | 240       |    |
|                             | Load Regulations             | mV                      | 75   | 120  | 240       |    |
|                             | Temperature Drift            | mV                      | 225  | 360  | 720       |    |
|                             | Ripple & Noise(pk-pk) (*1)   | mV                      | 120  | 120  | 200       |    |
|                             | Hold-up Time typ.            | ms                      | 14 (AC IN 110/220V, lo=100%)   |  |           |    |
| <b>INPUT</b>                | Voltage, Frequency           | V                       | AC100-240(AC88-264), 50/60Hz(47-440Hz)(Universal Input)                                |  |           |    |
|                             | Current                      | 110V<br>Typical<br>220V | A  | 1.6<br>1   |           |    |
|                             | Efficiency                   | 110V<br>Typ.<br>220V    | %  | 84   | 85        | 86 |
|                             | Inrush Current               | 110V<br>Typical<br>220V | A  | 20(Ta=25°C, Cold Start)<br>40(Ta=25°C, Cold Start) |           |    |
| <b>Function</b>             | Over Voltage Protection      | V                       | Works at 115~140% of rating  |  |           |    |
|                             | Over Current Protection (*2) | A                       | Works @110% of rating  |  |           |    |
| <b>Electrical Isolation</b> | Input - Output               | -                       | AC 3KV 1min., cut-off: 20mA / DC 500V 100 MO   |  |           |    |
|                             | Input - F.G                  | -                       | AC 2KV 1min., cut-off: 20mA / DC 500V 100 MO   |  |           |    |
|                             | Output - F.G                 | -                       | AC 0.5 KV 1min., cut-off: 100mA / DC 500V 100 MO                                       |  |           |    |
| <b>Environment</b>          | Operating temp. & Humidity   | -                       | -10 ~+70°C (with derating, lo=100% to 50% when 50°C to 71°C) 20~90% RH(Non Condensing) |  |           |    |
|                             | Storage temp. & Humidity     | -                       | -20 ~+75°C, 20~90% RH (Non Condensing)   |  |           |    |
|                             | Vibration                    | -                       | 10~55Hz @ 1G 3 minutes PERIOD, 30 minutes along X, Y, & Z axis                         |  |           |    |
|                             | Impact                       | -                       | 10G for 20ms, once on each X, Y, Z axis  |  |           |    |
| <b>Dimension</b>            | Size(LxWxH)/Weight           | mm/g                    | 129Lx98Wx38H/600   |  |           |    |
|                             | Safety                       | -                       | CB, CE, RU   |  |           |    |
|                             | Emission                     | -                       | Complies with EN55011, EN55022-B, FCC-B  |  |           |    |





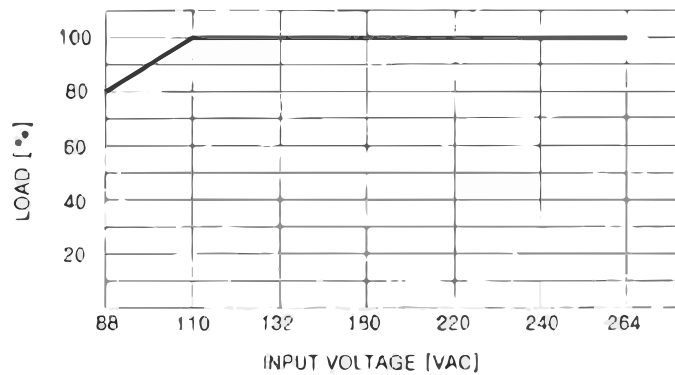
## Derating Curve



## Derating Curve

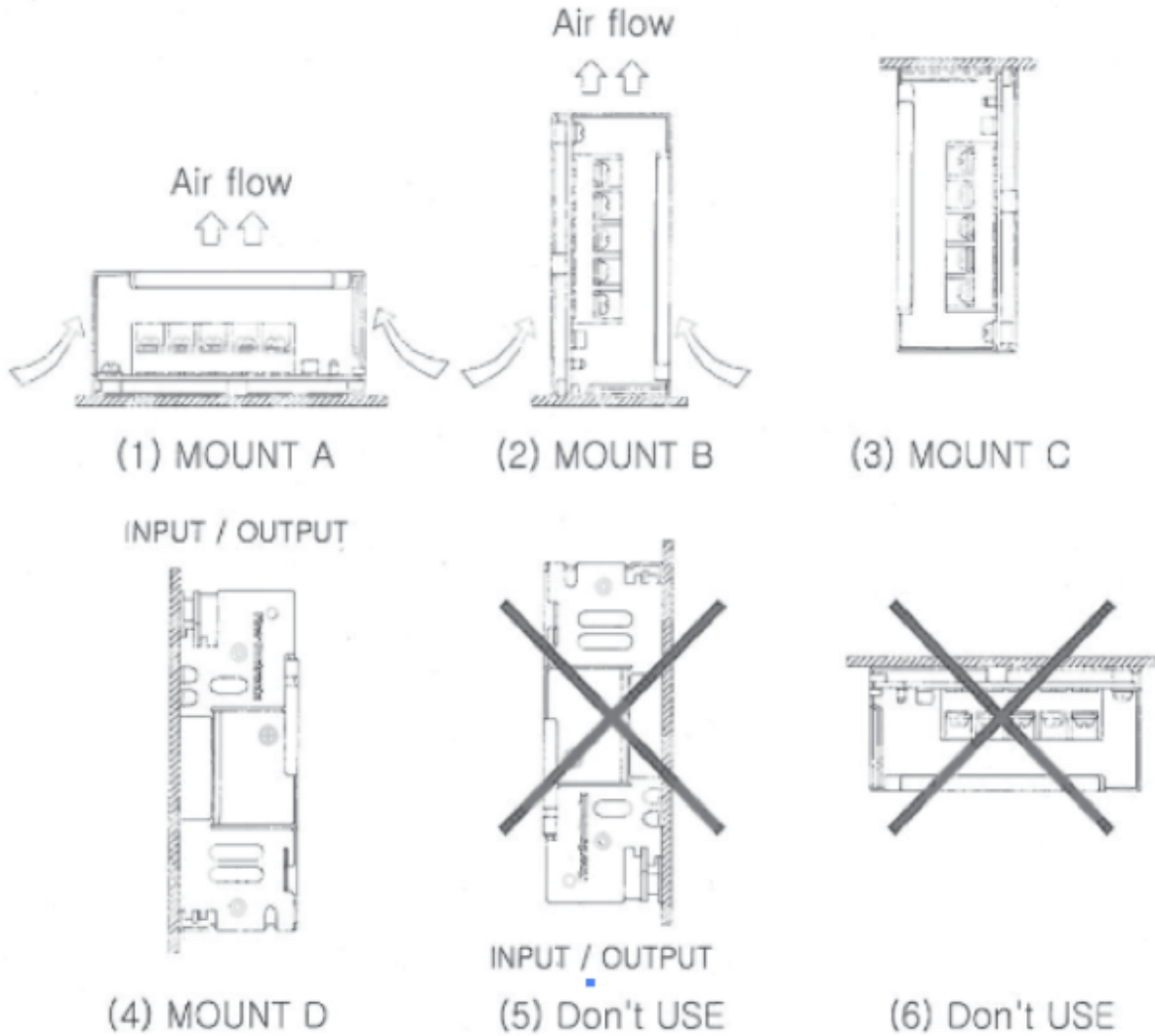
Expected Life and Warranty

| Mounting Method | Annual Average of Ambient Temperatures | Warranty                    |                                     |
|-----------------|--|-----------------------------|-------------------------------------|
|                 |  | Load factor $l_o \leq 50\%$ | Load factor $50\% < l_o \leq 100\%$ |
| mounting A      | Ta = 40°C or less                      | 3                           | 3                                   |
|                 | Ta = 50°C                              | 3                           | 2                                   |
| mounting B C D  | Ta = 30°C or less                      | 3                           | 3                                   |
|                 | Ta = 40°C                              | 3                           | 2                                   |





## Mounting Device

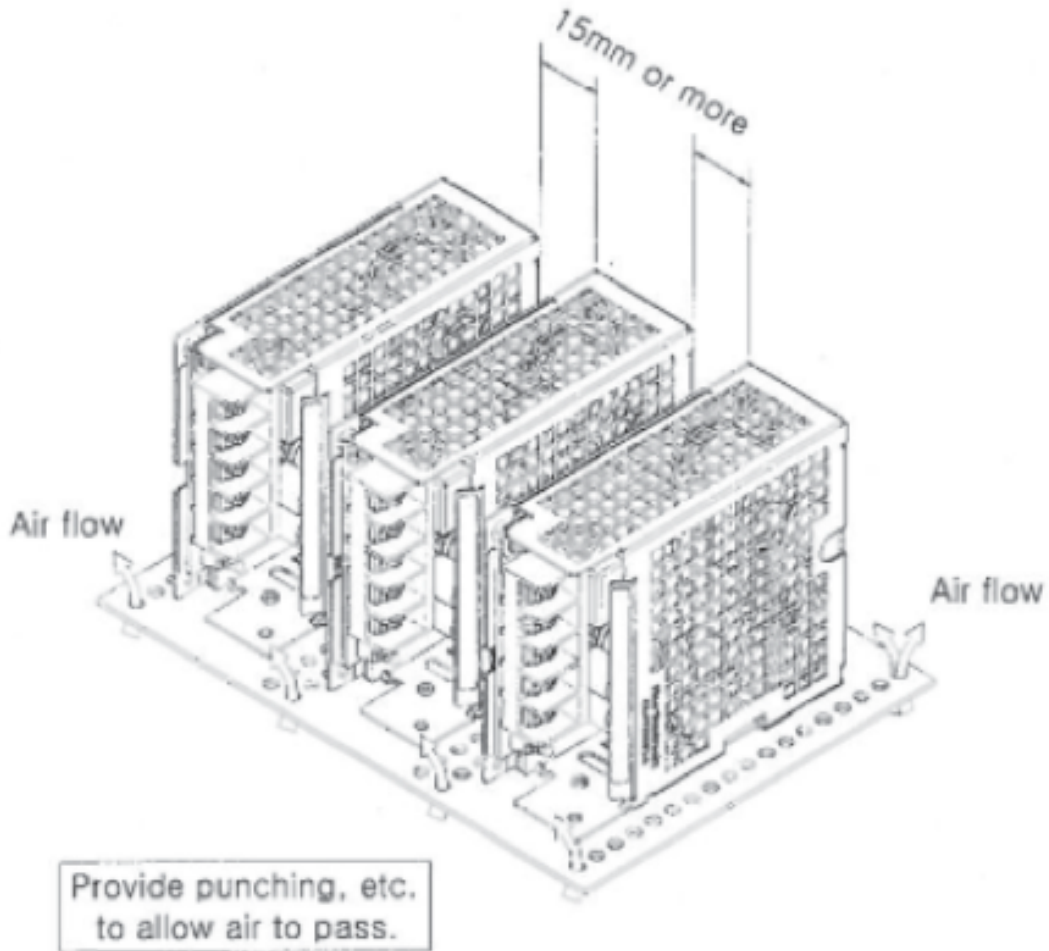




# ETA-USA

The Power Professionals

## Mounting Device



# ETA-USA

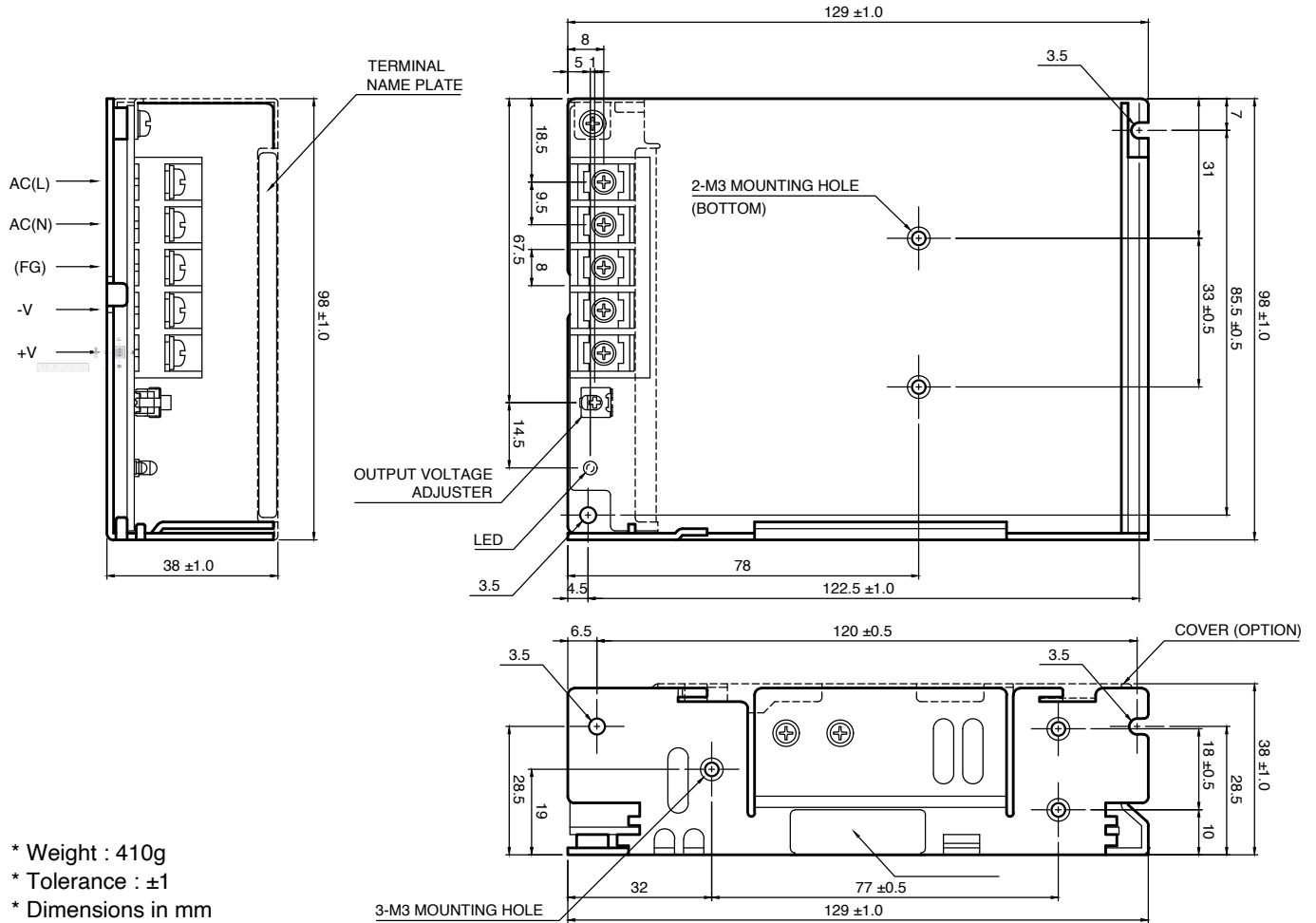
16170 Vineyard Blvd. Suite 180 Morgan Hill, CA 95037 <http://www.eta-usa.com>  
Toll-free (US only): 800-ETA-POWR (800-382-7697) Telephone: 408 778-2793 FAX: 408-779-2753



# ETA-USA

The Power Professionals

## Mechanical Drawings



- \* Weight : 410g
- \* Tolerance :  $\pm 1$
- \* Dimensions in mm



# ETA-USA

16170 Vineyard Blvd. Suite 180 Morgan Hill, CA 95037 <http://www.eta-usa.com>  
Toll-free (US only): 800-ETA-POWR (800-382-7697) Telephone: 408 778-2793 FAX: 408-779-2753

# Mouser Electronics

Authorized Distributor

Click to View Pricing, Inventory, Delivery & Lifecycle Information:

[ETA-USA:](#)

[AOJS75-12](#) [AOJS75-15](#)