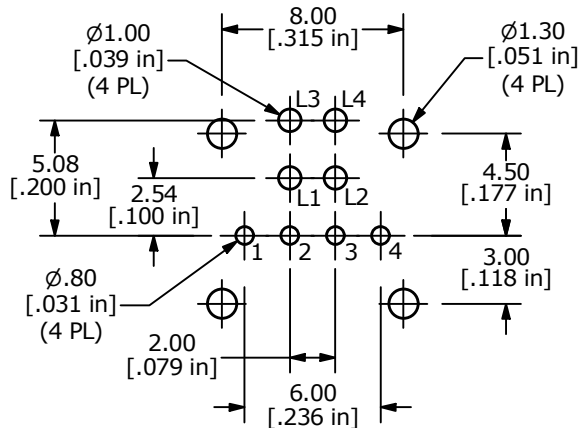
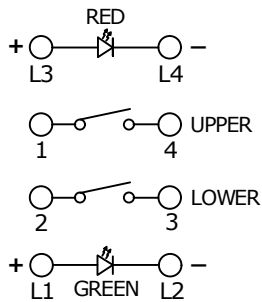


LED SPECS	UNITS	RED	GREEN
FORWARD CURRENT	mA	20	20
FORWARD VOLATGE	V	1.95 TYP - 2.5 MAX	2.1 TYP - 2.5 MAX
LUMINOUS INTENSITY	mcd	4000 TYP	300 TYP

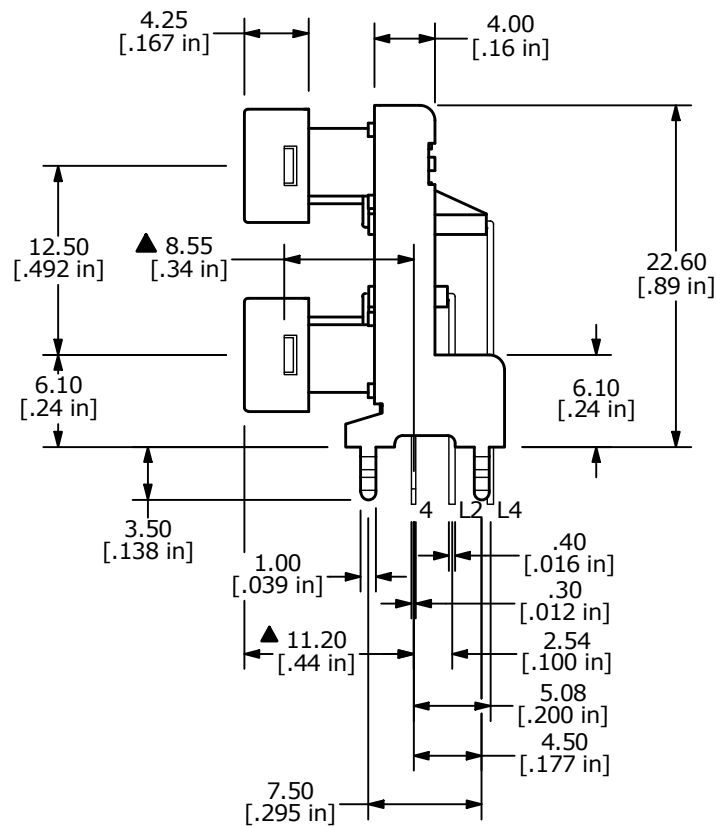
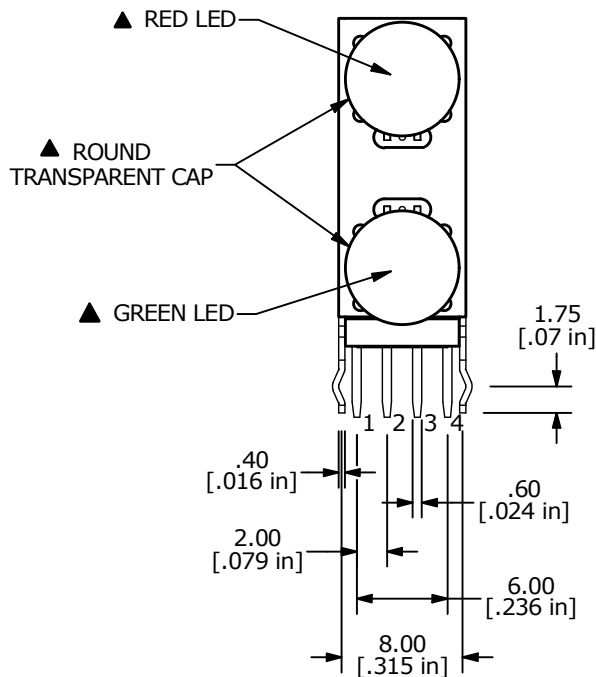
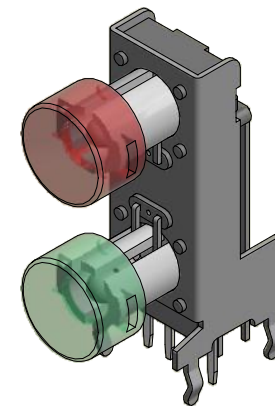
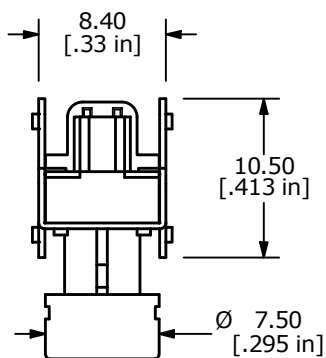


RECOMMENDED PCB LAYOUT



CIRCUIT DIAGRAM

- NOTES:
1. ALL DIMENSIONS IN MM
 2. GENERAL TOLERANCE: X.X = ±0.4
X.XX = ±0.25
 3. TERM. NUMBERS FOR REFERENCE ONLY.
 4. CONTACT RATING: 50mA @12VDC
 5. TRAVEL: 0.25 ±0.1mm
 6. CONTACT RESISTANCE: 100 Milli-Ohms Max.
 7. OPERATING FORCE: 160 ±50gf
 - ▲ 8. CONTACT MATERIAL: SILVER
 9. MECHANICAL LIFE: 500,000 CYCLES
 10. OPERATING TEMP: -40°C to 85°C
 11. ▲ DENOTES CRITICAL PARAMETER.
 - ▲ 12. PACKAGE: TRAY/ 84 PIECES PER



A	24368	RELEASE FOR PRODUCTION	7/2/20	MW
REV	PCR NO	DESCRIPTION	DATE	BY

TITLE	TL3253BRBBGBF160Q			
SCALE	DATE	DR	DWG	REV

2:1	7/1/2020	MW	B060021	A
-----	----------	----	---------	---

THE INFORMATION CONTAINED IN THIS DOCUMENT IS PROPRIETARY TO E-SWITCH AND IS NOT TO BE COPIED OR TRANSFERRED

Mouser Electronics

Authorized Distributor

Click to View Pricing, Inventory, Delivery & Lifecycle Information:

[E-Switch:](#)

[TL3253BRBBGBF160Q](#)