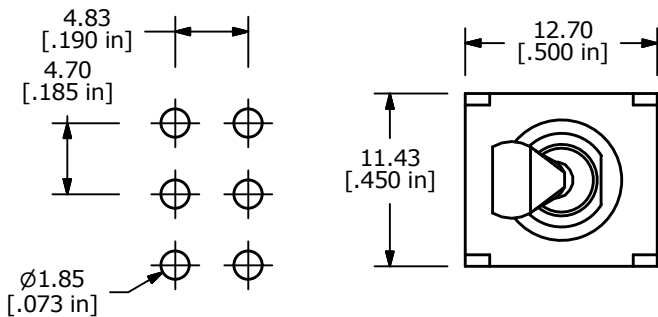
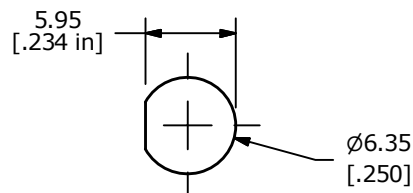
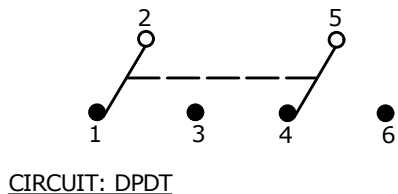
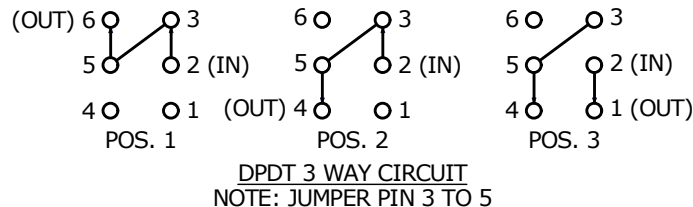


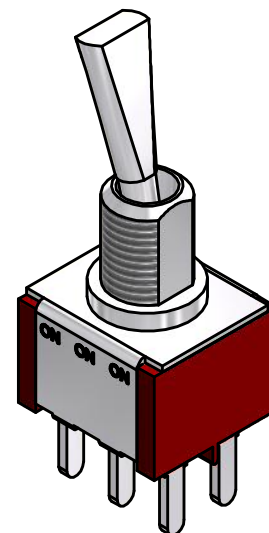
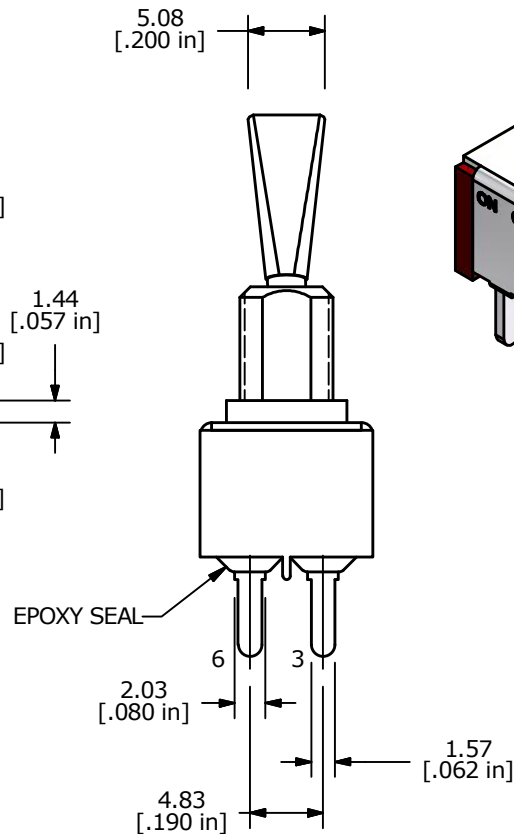
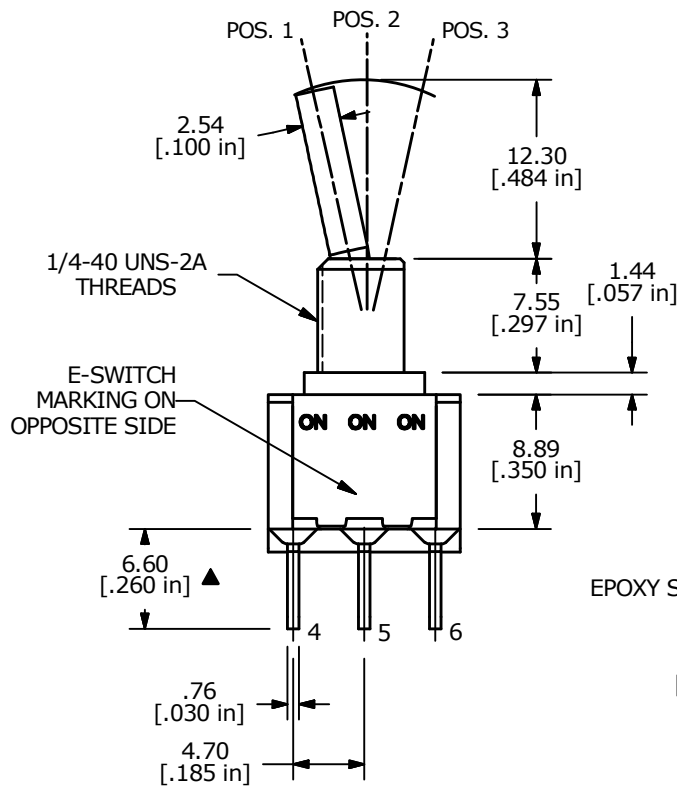
SWITCH FUNCTION		
POS. 1	POS. 2	POS. 3
ON	ON	ON
2-3, 5-6	2-1, 5-6	2-1, 5-4



P.C.B. MOUNTING



PANEL MOUNTING



NOTE:

- ALL DIMENSIONS IN MM [INCH]
- GENERAL TOLERANCE: X.X=±0.4  
X.XX=±0.25
- TERMINAL NUMBERS FOR REF ONLY
- PLATING MATERIAL: GOLD
- RATING: 0.4VA MAX @20V MAX (AC or DC)
- ELECTRIC LIFE: 40,000 MAKE-AND-BREAK CYCLES AT FULL LOAD.
- INSULATION RESISTANCE: 1,000 MEGA-OHM MIN.
- DIELECTRIC STRENGTH: 1,000 V RMS @SEA LEVEL.
- OPERATING TEMP.: -30°C to 85°C
- ▲ DENOTES CRITICAL PARAMETER.
- 2002/95/EC (ROHS) COMPLIANT



C	22595	UPDATED PIN NUMBERING	11/16/16	MJR
B	17870	Redrawn in 3D; updated dimensions	11/19/07	rc
REV	PCR NO	DESCRIPTION	DATE	BY

TITLE 100DP6T6B15M3RE				
SCALE	DATE	DR	DWG	REV
2:1	11/19/2007	rc	T121088	C

THE INFORMATION CONTAINED IN THIS DOCUMENT IS PROPRIETARY TO E-SWITCH AND IS NOT TO BE COPIED OR TRANSFERRED

# Mouser Electronics

Authorized Distributor

Click to View Pricing, Inventory, Delivery & Lifecycle Information:

[E-Switch:](#)

[100DP6T6B15M3RE](#)