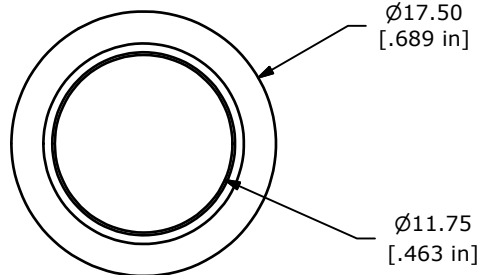
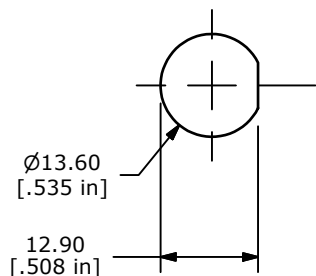


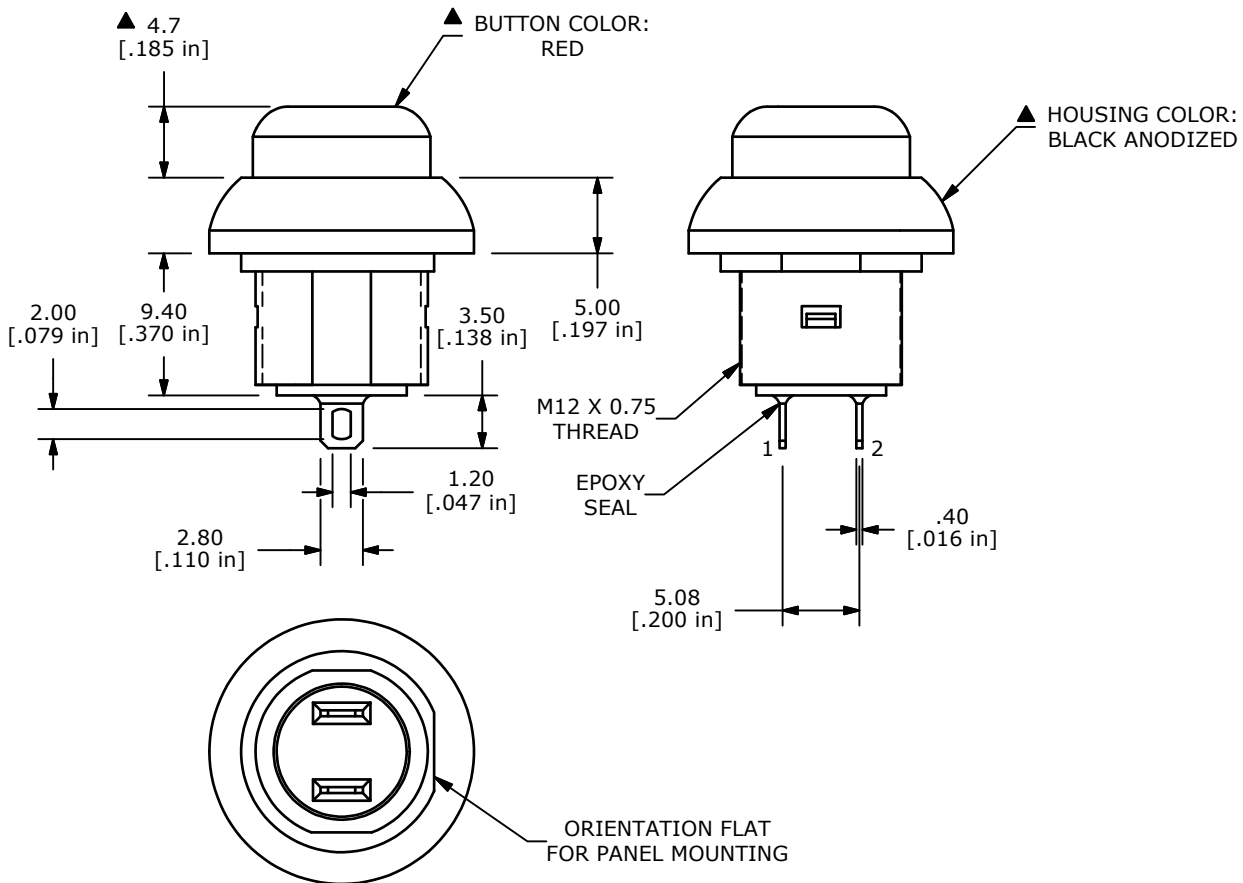
▲ **CIRCUIT: SPST**
OFF-(ON)
MOMENTARY

PANEL MOUNTING



NOTE:

1. ALL DIMENSIONS IN MM [INCH]
2. GENERAL TOLERANCE: X.X=±0.4
X.XX=±0.25
3. TERMINAL NUMBERS FOR REF ONLY
4. CIRCUIT: SPST OFF-MOMENTARY ON
5. CONTACT MATERIAL: Gold over SILVER
6. RATING: 500mA @ 48 VAC
200mA @ 50 VDC or 250VAC
7. ELECTRIC LIFE: 500,000 CYCLES AT FULL LOAD
8. CONTACT RESISTANCE: 50 milli-OHM max. (INITIAL)
9. INSULATION RESISTANCE: 1,000 MEGA-OHM min. @ 500VDC.
10. DIELECTRIC STRENGTH: 1,500 VAC rms.
11. OPERATING FORCE: 350 gf +/- 150 gf
12. OPERATING TEMPERATURE: -30°C TO +85°C.
13. CONTACT BOUNCE: 10ms MAX.
14. TRAVEL: 1.5mm ±0.25mm
15. PANEL THICKNESS RANGE: 1.5 - 4.0 mm.
16. ▲ DENOTES CRITICAL PARAMETER.
17. 2011/65/EU (ROHS) COMPLIANT
18. SEAL RATING: IP67
19. MAX MOUNTING TORQUE: 1.5Nm APPLIED TO THE NUT.
- ▲20. HARDWARE INCLUDED (NOT SHOWN IN DRAWING)
 1. T081101 LOCK WASHER (1)
 2. T081102 HEX NUT (1)
 3. T081103 RUBBER SEAL (1)



TITLE RP8301B2M1CEBLKREDNIL				
SCALE	DATE	DR	DWG	REV
2:1	8/3/2016	rc	ST083201	A

A	22424	New Release	8/3/16	rc
REV	PCR NO	DESCRIPTION	DATE	BY
<small>THE INFORMATION CONTAINED IN THIS DOCUMENT IS PROPRIETARY TO E-SWITCH AND IS NOT TO BE COPIED OR TRANSFERRED</small>				

Mouser Electronics

Authorized Distributor

Click to View Pricing, Inventory, Delivery & Lifecycle Information:

[E-Switch:](#)

[RP8301B2M1CEBLKREDNIL](#)