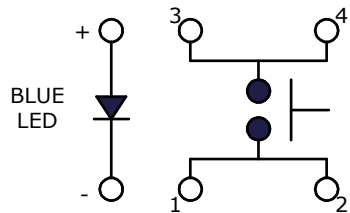
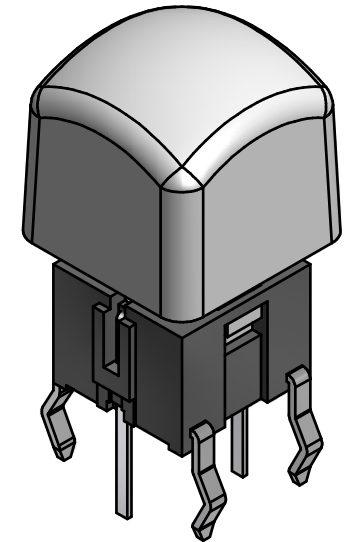
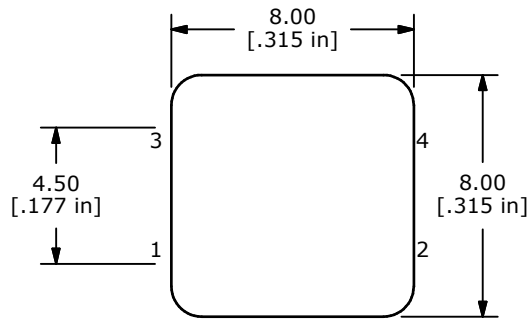


P.C.B. LAYOUT

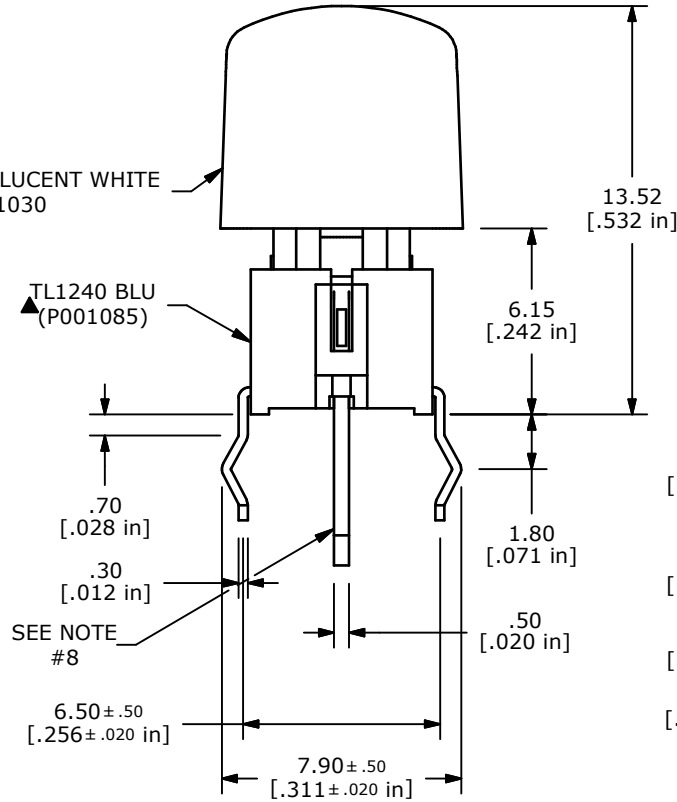


CIRCUIT: SPST

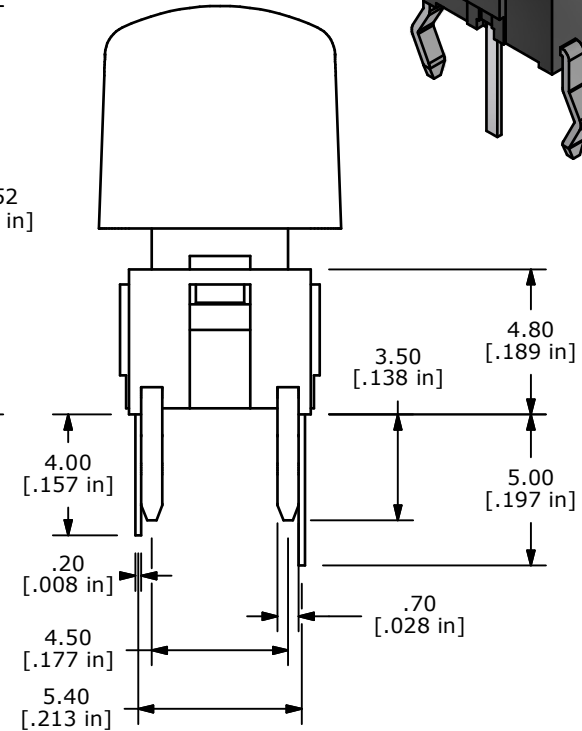
- NOTES:
1. ALL DIMENSIONS IN MM
 2. GENERAL TOLERANCE: X.X=±0.4
X.XX=±0.25
 3. RATING: 50mA @ 12VDC
 4. TRAVEL: 0.25 +0.2/0.1mm
 - ▲5. OPERATING FORCE: 160±50gf
 6. CONTACT RESISTANCE: 100 Milli-Ohms Max
 7. 2002/95/EC (ROHS) COMPLIANT
 - ▲8. SHORTER LEAD (WITH COLOR) IS NEGATIVE (CATHODE).
 - ▲9. LED: BLUE
 10. ▲ DENOTES CRITICAL PARAMETER



3J CAP, TRANSLUCENT WHITE
▲ P001030



▲ TL1240 BLU
(P001085)



LED SPECS	UNITS	BLUE
FORWARD CURRENT	mA	20
FORWARD VOLTAGE	V	3.2-4.0
LUMINOUS INTENSITY	MCD	500



TITLE TL1240BQ3JTRAN

A	20985	RELEASED FOR PRODUCTION	1/29/13	EBP
REV	PCR NO	DESCRIPTION	DATE	BY

SCALE	DATE	DR	DWG	REV
	1/29/2013	EBP	XP0316P	A

THE INFORMATION CONTAINED IN THIS DOCUMENT IS PROPRIETARY TO E-SWITCH AND IS NOT TO BE COPIED OR TRANSFERRED

Mouser Electronics

Authorized Distributor

Click to View Pricing, Inventory, Delivery & Lifecycle Information:

[E-Switch:](#)

[TL1240BQ3JTRAN](#)