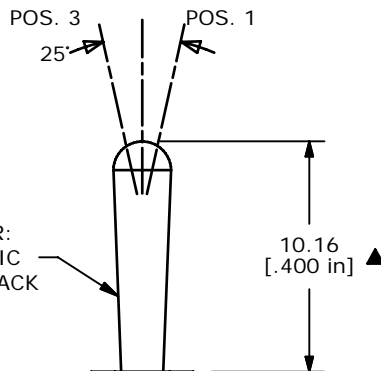


SWITCH FUNCTION ▲		
POS. 1	POS. 2	POS. 3
(ON)	OFF	(ON)
2-3	OPEN	2-1

(ON) = MOMENTARY

NOTES:

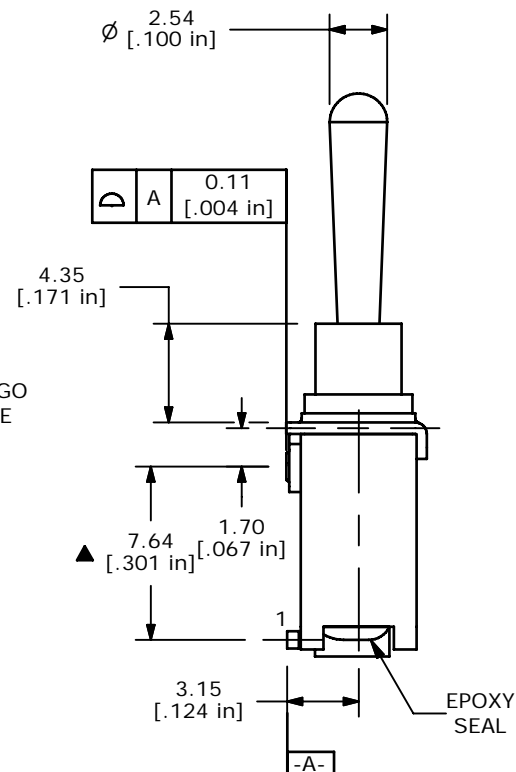
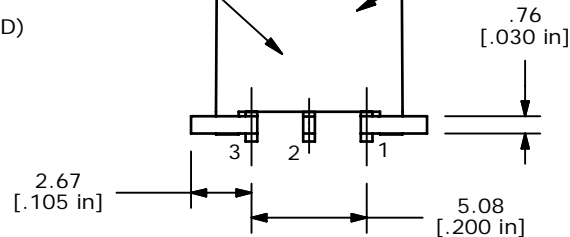
- ALL DIMENSIONS IN MM [INCH]
- TERMINAL NUMBERS FOR REF. ONLY
- GENERAL TOLERANCE: X.X=±0.4  
X.XX=±0.25
- ▲ 4. PLATING MATERIAL: GOLD OVER SILVER
- RATING: 3A@120VAC; 1A@250VAC(RESISTIVE LOAD)
- CONTACT RESISTANCE: 20 MILLI-OHMS MAX.
- MECHANICAL LIFE: 30,000 MAKE AND BREAK CYCLES AT FULL LOAD
- INSULATION RESISTANCE: 1,000 MEGA-OHM MIN.
- DIELECTRIC STRENGTH: 1,000 V RMS@SEA LEVEL
- OPERATING TEMPERATURE: -30°C TO 85°C
- PACKAGING: 500 PER REEL.
- ▲ DENOTES CRITICAL PARAMETER.
- 2002/95/EC (ROHS) COMPLIANT



▲ ACTUATOR:  
ANTI-STATIC  
PLASTIC- BLACK

SWITCH RATING  
ON OPPOSITE  
SIDE

E-SWITCH LOGO  
ON OPPOSITE  
SIDE



TITLE 200BWMSP4TAA1SM6CE

A	18508	RELEASE FOR PRODUCTION	4/30/09	rc
REV	PCR NO	DESCRIPTION	DATE	BY

THE INFORMATION CONTAINED IN THIS DOCUMENT IS PROPRIETARY TO E-SWITCH AND IS NOT TO BE COPIED OR TRANSFERRED

SCALE	DATE	DR	DWG	REV
3:1	4/30/2009	RC	T833046	A

# Mouser Electronics

Authorized Distributor

Click to View Pricing, Inventory, Delivery & Lifecycle Information:

[E-Switch:](#)

[200BWMSP4TAA1SM6CE](#)