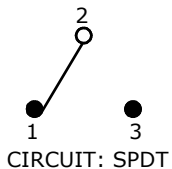
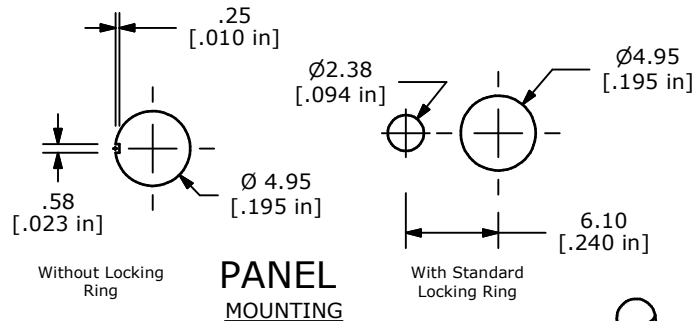
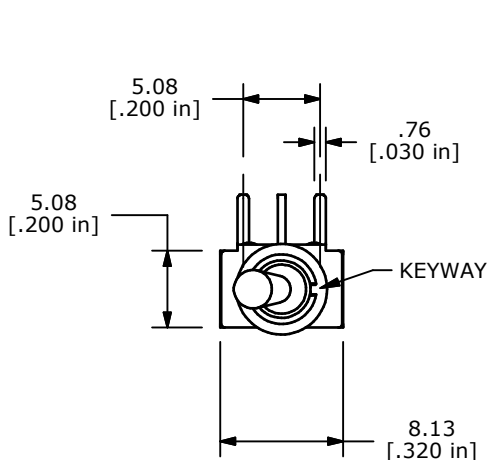


SWITCH FUNCTION		
POS. 1	POS. 2	POS. 3
ON	OFF	ON
2-3	OPEN	2-1

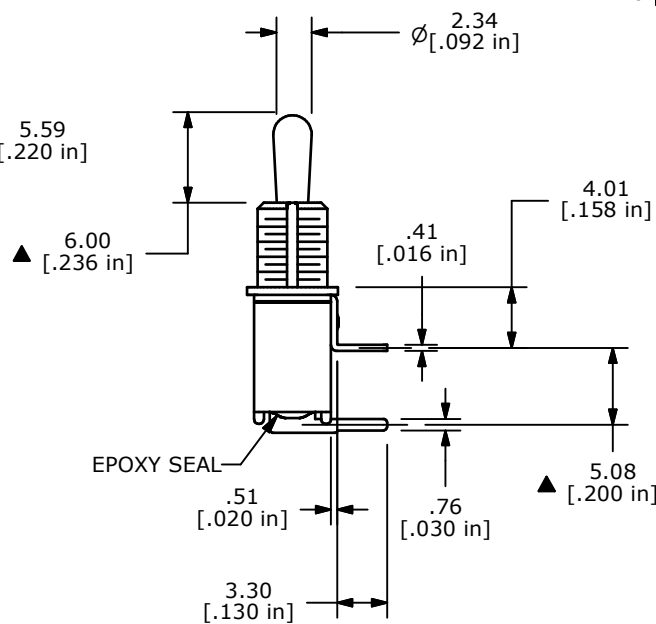
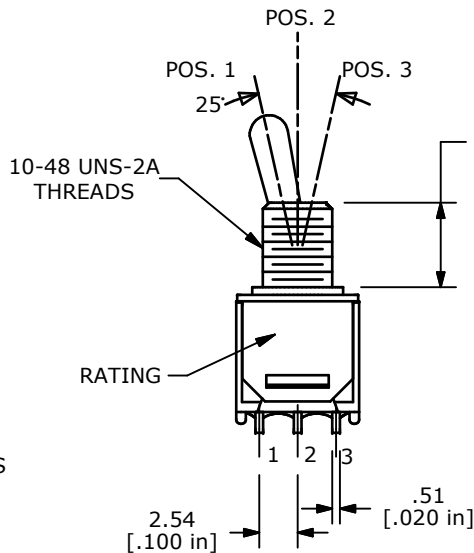
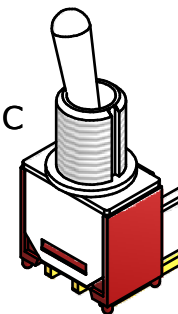


NOTE:

1. ALL DIMENSIONS IN MM [INCH]
2. GENERAL TOLERANCE: X.X=±0.4  
X.XX=±0.25
3. TERMINAL NUMBERS FOR REF ONLY
4. PLATING MATERIAL: SILVER
- ▲ 5. RATING: 3A @ 120VAC (or 28VDC)  
1A @ 250VAC
6. LIFE EXPECTANCY: 30,000 MAKE-AND-BREAK CYCLES AT FULL LOAD.
7. INSULATION RESISTANCE: 1,000 MW MIN.
8. DIELECTRIC STRENGTH: 1,000 V RMS @SEA LEVEL.
9. CONTACT RESISTANCE: 20 MILLI-OHMS MAX.
10. OPERATING TEMP.: -30°C to 85°C
11. ▲ DENOTES CRITICAL PARAMETER.
12. 2002/95/EC (ROHS) COMPLIANT
13. HARDWARE TO BE SHIPPED BULK  
T200001 - HEXNUT - QTY 2  
T200000 - LOCKWASHER - QTY 1  
T100003 - LOCKRING - QTY 1



ISOMETRIC



TITLE 200MSP3T21B3M6QEH

A	18558	RELEASED FOR PRODUCTION	6/17/09	BLR
REV	PCR NO	DESCRIPTION	DATE	BY

SCALE	DATE	DR	DWG	REV
2:1	6/17/2009	BLR	ST205006	A

THE INFORMATION CONTAINED IN THIS DOCUMENT IS PROPRIETARY TO E-SWITCH AND IS NOT TO BE COPIED OR TRANSFERRED

# Mouser Electronics

Authorized Distributor

Click to View Pricing, Inventory, Delivery & Lifecycle Information:

[E-Switch:](#)

[200MSP3T21B3M6QEH](#)