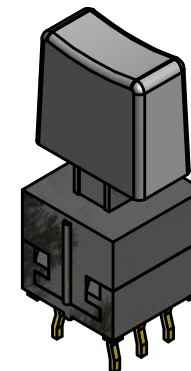
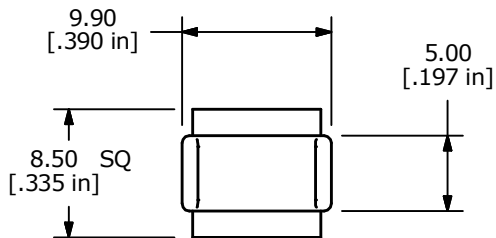
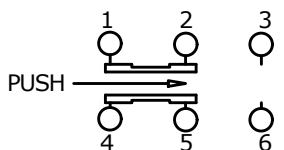


RECOMMENDED P.C.B. LAYOUT

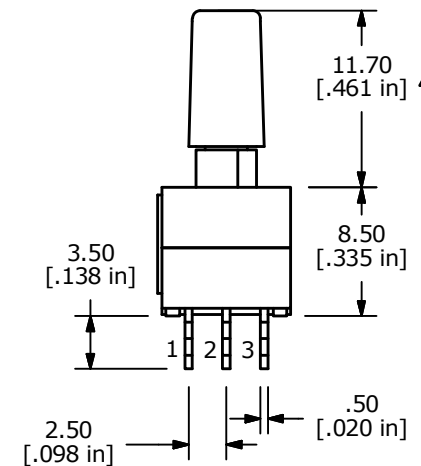
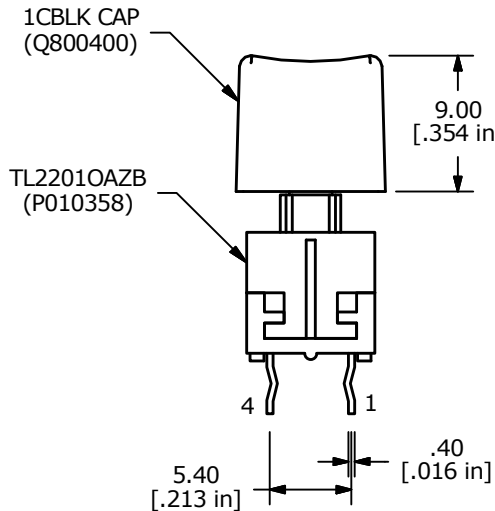


SWITCH FUNCTION	
POS. 1	POS. 2
ON	(ON)
2-1,5-4	2-3,5-6

(ON) = MOMENTARY



CIRCUIT DIAGRAM  
▲ BREAK BEFORE MAKE



- NOTES:
1. ALL DIMENSIONS IN MM [INCH]
  2. GENERAL TOLERANCE: x.x=±0.4mm  
x.xx=±0.25mm
  3. TERM. NOS. FOR REF. ONLY
  4. RATING: 0.1A @30VDC
  5. TRAVEL: 2.50±0.38mm
  6. OPERATING FORCE: 180±50 GRAMS
  7. CONTACT RESISTANCE: 100mΩ MAX.
  8. ELECTRICAL LIFE: >10,000 CYCLES
  9. ▲ DENOTES CRITICAL PARAMETER
  10. 2011/65/EU (ROHS) COMPLIANT



B	22326	UPDATED POS. 2 SWITCH FUNCTION	5/24/16	MJR
A	21367	NEW PART RELEASE	1/30/14	EBP
REV	PCR NO	DESCRIPTION	DATE	BY

TITLE TL2201OAZB1CBLK				
SCALE 2:1	DATE 1/30/2014	DR EBP	DWG XP0318A	REV B

THE INFORMATION CONTAINED IN THIS DOCUMENT IS PROPRIETARY TO E-SWITCH AND IS NOT TO BE COPIED OR TRANSFERRED

# Mouser Electronics

Authorized Distributor

Click to View Pricing, Inventory, Delivery & Lifecycle Information:

[E-Switch:](#)

[TL2201OAZB1CBLK](#)