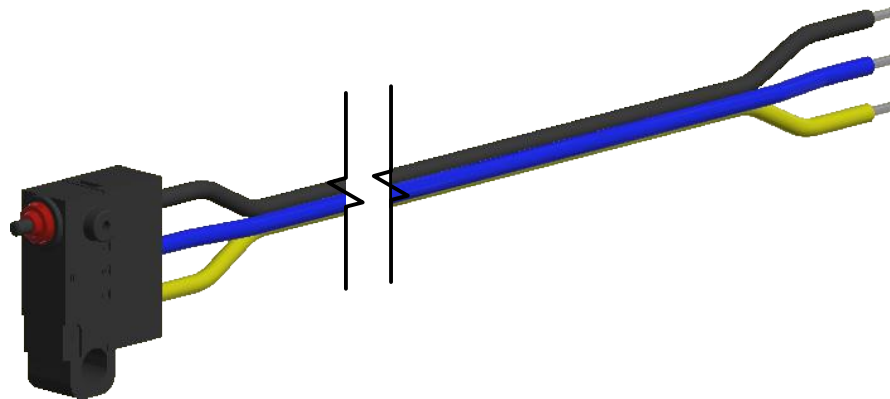
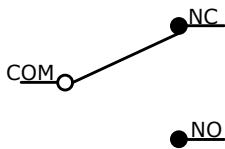


SWITCH	WIRE	LENGTH
SW1-1 (COM)	WIRE, 24AWG UL1007 STRANDED, BLACK	162.0 [6.38 in]
SW1-3 (NO)	WIRE, 24AWG UL1007 STRANDED, BLUE	162.0 [6.38 in]
SW1-2 (NC)	WIRE, 24AWG UL1007 STRANDED, YELLOW	162.0 [6.38 in]

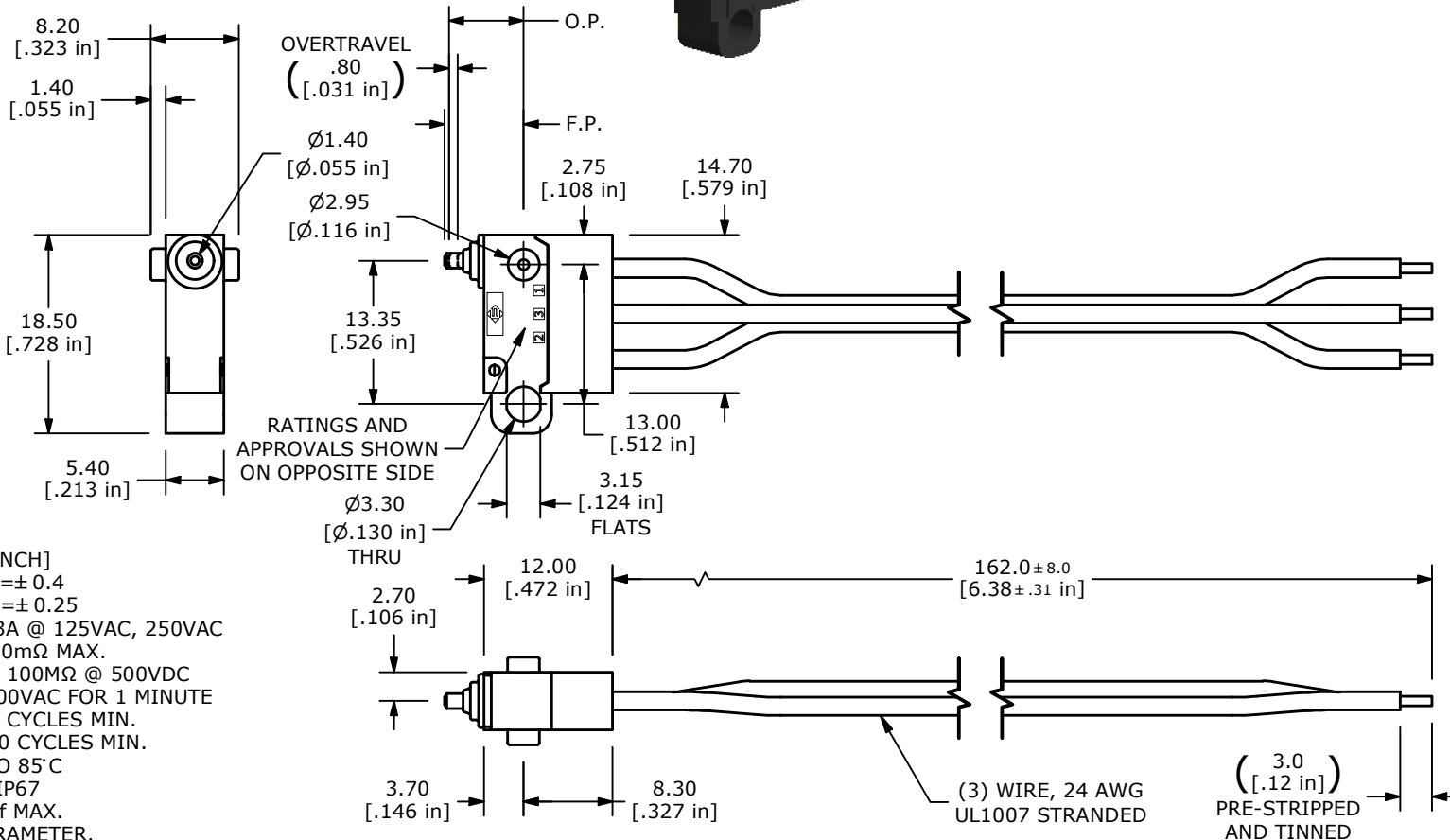


O.P. (MM)	F.P. (MM)
6.40~6.95	7.35 MAX

O.P. = OPERATING POINT
F.P. = FREE-POSITION



▲ CIRCUIT: SPDT



NOTES:

- ALL DIMENSIONS IN MM [INCH]
- GENERAL TOLERANCE: X.X=±0.4
X.XX=±0.25
- RATING: 3A @ 12VDC OR 3A @ 125VAC, 250VAC
- CONTACT RESISTANCE: 150mΩ MAX.
- INSULATION RESISTANCE: 100MΩ @ 500VDC
- DIELECTRIC STRENGTH: 500VAC FOR 1 MINUTE
- ELECTRICAL LIFE: 100,000 CYCLES MIN.
- MECHANICAL LIFE: 500,000 CYCLES MIN.
- OPERATING TEMP: -40°C TO 85°C
- MOISTURE PROTECTION: IP67
- OPERATING FORCE: 130 gf MAX.
- ▲ DENOTES CRITICAL PARAMETER.

REV	ECO NO	DESCRIPTION	DATE	BY
A	ECO-100685	NEW RELEASE	08/03/22	MR



OBJECT ID
100120858

TITLE WS1085300F130WA				
SCALE 2:1	DATE 1/24/2022	DR MJR	DWG N010540	REV A

Mouser Electronics

Authorized Distributor

Click to View Pricing, Inventory, Delivery & Lifecycle Information:

[E-Switch:](#)

[WS1085300F130WA](#)