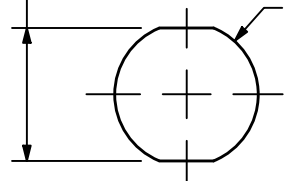


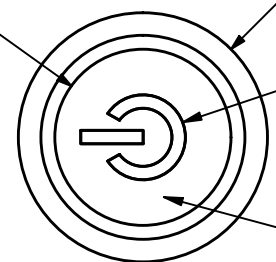
17.60<sup>+0.20</sup><sub>-.00</sub>  
[.69<sup>+0.008</sup><sub>-.000</sub> in]



PANEL CUT-OUT  
PANEL THICKNESS 1-10mm

∅19.00<sup>+0.20</sup><sub>-.00</sub>  
[∅.748<sup>+0.008</sup><sub>-.000</sub> in]

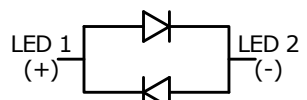
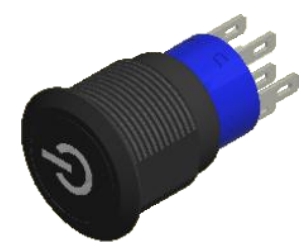
∅15.50  
[.61 in]



∅22.00  
[.87 in]

▲ POWER SYMBOL  
ILLUMINATION  
COLOR: WHITE

▲ ACTUATOR  
BLACK ANODIZED



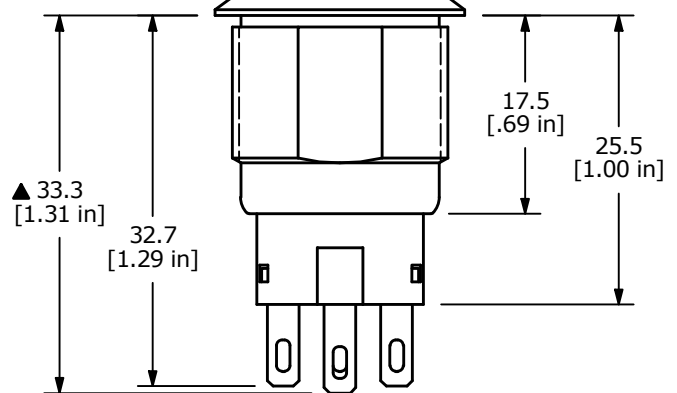
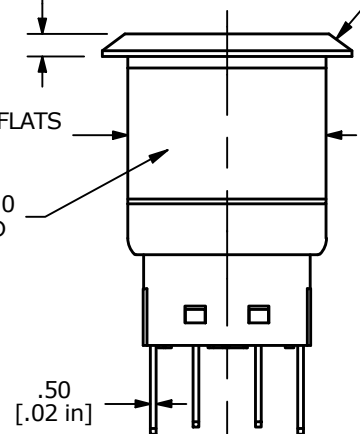
SCHEMATIC  
▲ ON - ON  
DPDT Illuminated

2.0  
[.08 in]

▲ HOUSING  
BLACK ANODIZED

17.50 FLATS  
[.69 in]

M19 x 1.0  
THREAD



.50  
[.02 in]

5.50  
[.22 in]

13.00  
[.51 in]

▲ 33.3  
[1.31 in]

32.7  
[1.29 in]

17.5  
[.69 in]

25.5  
[1.00 in]

5.00  
[.197 in]

2.80  
[.110 in]

10.00  
[.394 in]

TERMINAL 3

TERMINAL 2

LED 1  
(+)

TERMINAL 1

TERMINAL 6

LED 2  
(-)

TERMINAL 5

TERMINAL 4

- NOTE:
1. ALL DIMENSIONS IN MM [INCH]
  2. GENERAL TOLERANCE: X.X = ±0.4  
X.XX = ±0.25
  3. TERMINAL NUMBERS FOR REF ONLY
  - ▲ 4. CONTACT MATERIAL: SILVER
  5. RATING: 3A 250 VAC cUL
  6. ELECTRIC LIFE: 50,000 MAKE-AND-BREAK CYCLES  
AT FULL LOAD.
  7. MECHANICAL LIFE: 500,000 CYCLES.
  8. INSULATION RESISTANCE: 1,000 MΩ @ 500VDC MIN.
  9. DIELECTRIC STRENGTH: 2,000 VAC MIN. FOR 1 MINUTE
  10. CONTACT RESISTANCE: 50mΩ MAX. @ 1A 12VDC
  11. OPERATING TEMP.: -20°C to 55°C
  12. ▲ DENOTES CRITICAL PARAMETER.
  - ▲ 13. LAMP VOLTAGE: 20mA 110V
  14. TRAVEL: 3.2mm
  15. ACTUATION FORCE: 3.5 ± 1.0 N
  16. MOUNTING NUT TORQUE: 5-14 Nm
  17. INGRESS PROTECTION: IP67
  18. HARDWARE SUPPLIED: O-RING AND HEXNUT

REV	ECO NO	DESCRIPTION	DATE	BY
C	ECO-100335	UPDATE PANEL CUTOUT	12/06/21	JS

OBJECT ID  
000026035

TITLE  
ULV4F2G11506

SCALE 3:2	DATE 12/15/2015	DR MW	DWG T940033	REV C
--------------	--------------------	----------	----------------	----------

# Mouser Electronics

Authorized Distributor

Click to View Pricing, Inventory, Delivery & Lifecycle Information:

[E-Switch:](#)

[ULV4F2G11506](#)