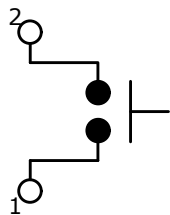
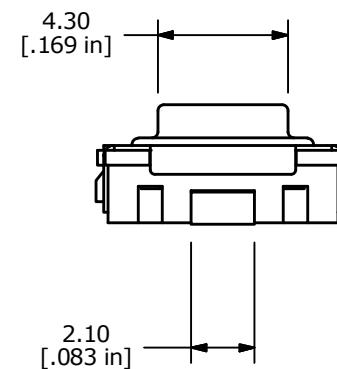
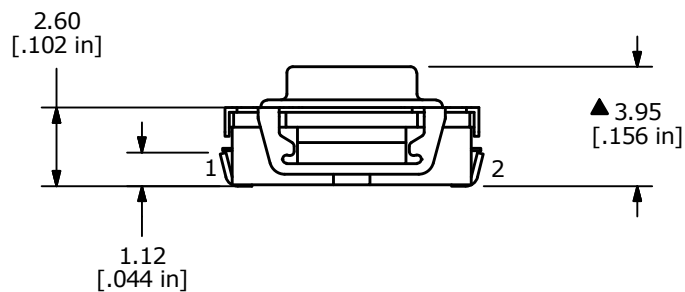
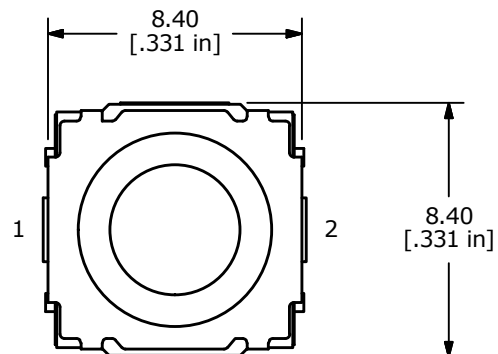


RECOMMENDED
PCB LAYOUT



▲ CIRCUIT: SPST



NOTES:

1. ALL DIMENSIONS IN MM [INCH]
2. GENERAL TOLERANCE: X.X = ±0.4
X.XX = ±0.25
3. CONTACT RATING: 16VDC, 50mA
4. CONTACT RESISTANCE: 100 mΩ MAX.
5. INSULATION RESISTANCE: 1MΩ MIN @ 100VDC.
- ▲ 6. OPERATING FORCE: 400 ± 80gf
7. TRAVEL: 0.9 ± 0.3mm
8. OPERATING TEMPERATURE: -20°C to +70°C
9. STORAGE TEMPERATURE: -30°C to +80°C
10. OPERATING LIFE: 500,000 CYCLES
11. ▲ DENOTES CRITICAL PARAMETERS
12. PART IS IP67 RATED
13. PARTS TO BE PACKAGED TAPE AND REEL, 1000 PER REEL



TITLE TL9320AF400QG				
SCALE	DATE	DR	DWG	REV
4:1	8/21/2019	MJR	P093200	A

A	24011	NEW RELEASE	8/21/19	MJR
REV	PCR NO	DESCRIPTION	DATE	BY

THE INFORMATION CONTAINED IN THIS DOCUMENT IS PROPRIETARY TO E-SWITCH AND IS NOT TO BE COPIED OR TRANSFERRED

Mouser Electronics

Authorized Distributor

Click to View Pricing, Inventory, Delivery & Lifecycle Information:

[E-Switch:](#)

[TL9320AF400QG](#)