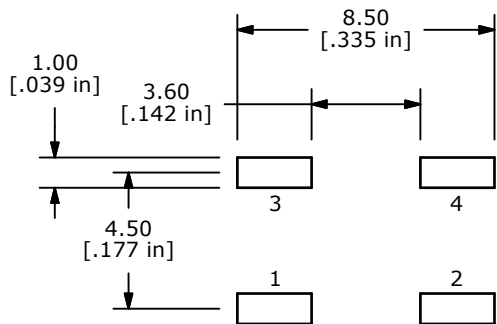


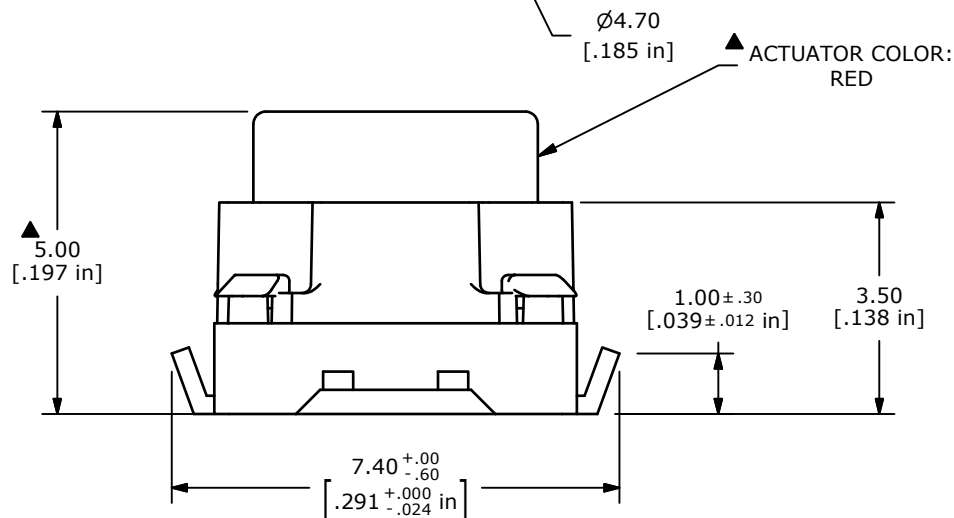
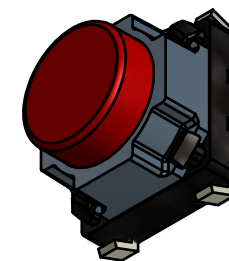
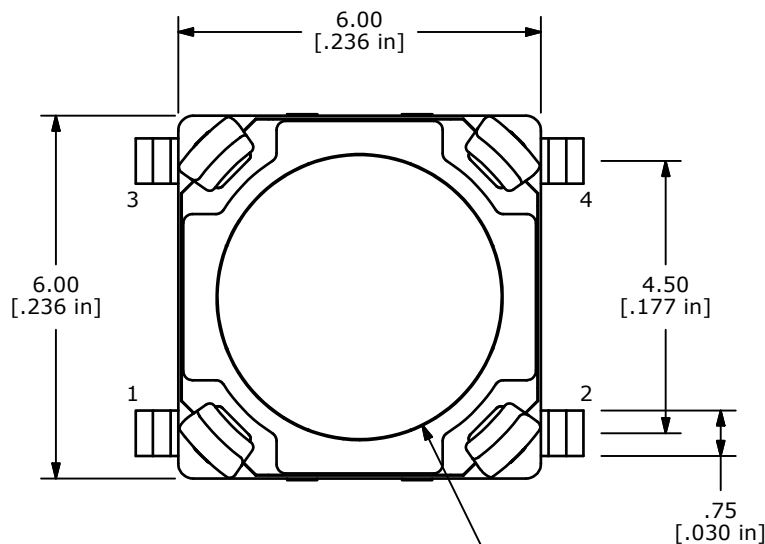
▲ CIRCUIT: SPST



RECOMMEND  
PCB LAYOUT

NOTES:

1. ALL DIMENSIONS IN MM [INCH]
2. GENERAL TOLERANCE: X.X=± 0.4  
X.XX=± 0.25
3. TERM. NUMBERS FOR REF. ONLY.
4. RATING: 50mA @ 12 VDC
- ▲ 5. OPERATING FORCE: 200± 50gf
6. TRAVEL: 1.30 +0.10/-0.30 mm
7. CONTACT RESISTANCE: 100 mΩ MAX.
8. DIELECTRIC STRENGTH: 300VAC min.
9. INSULATION RESISTANCE: 100 MEGAΩ @ 500VDC.
10. ELECTRICAL LIFE: 100,000 CYCLES
11. OPEARTING TEMP: -40°C TO 85°C
12. ▲ DENOTES CRITICAL PARAMETER.
13. 2011/65/EC (ROHS) COMPLIANT
14. PACKAGING: TAPE & REEL (900 PIECES PER REEL)



A	22725	New Release	2/14/17	rc
REV	PCR NO	DESCRIPTION	DATE	BY

TITLE TL9100AF200Q				
SCALE	DATE	DR	DWG	REV
8=1	2/6/2017	rc	N010300	A

THE INFORMATION CONTAINED IN THIS DOCUMENT IS PROPRIETARY TO E-SWITCH AND IS NOT TO BE COPIED OR TRANSFERRED

# Mouser Electronics

Authorized Distributor

Click to View Pricing, Inventory, Delivery & Lifecycle Information:

[E-Switch:](#)

[TL9100AF200Q](#)