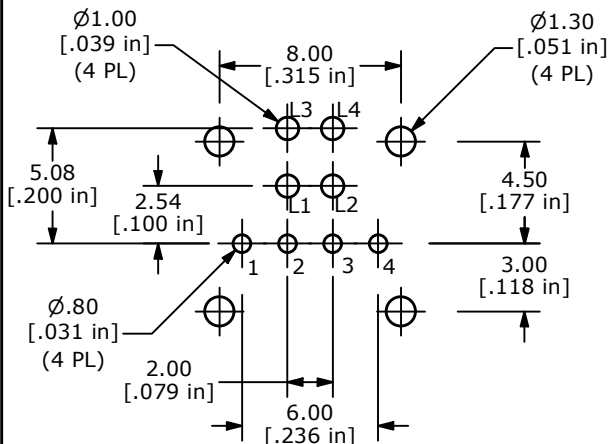
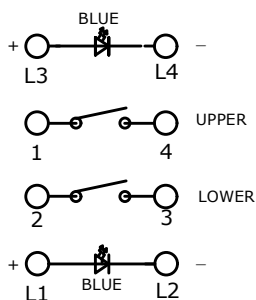


LED SPECS	UNITS	BLUE
FORWARD CURRENT	mA	20
FORWARD VOLATGE	V	3.3 TYP - 4.0 MAX
LUMINOUS INTENSITY	mcd	1000 TYP



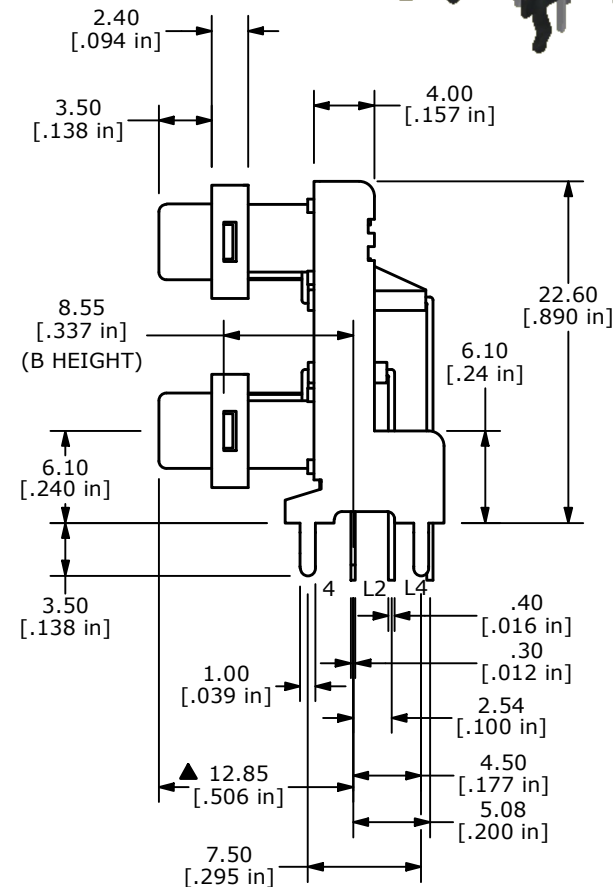
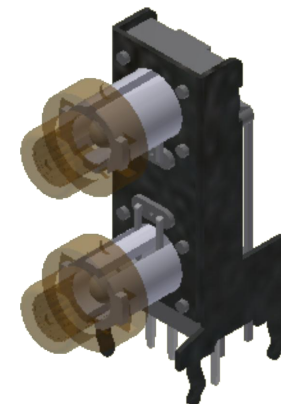
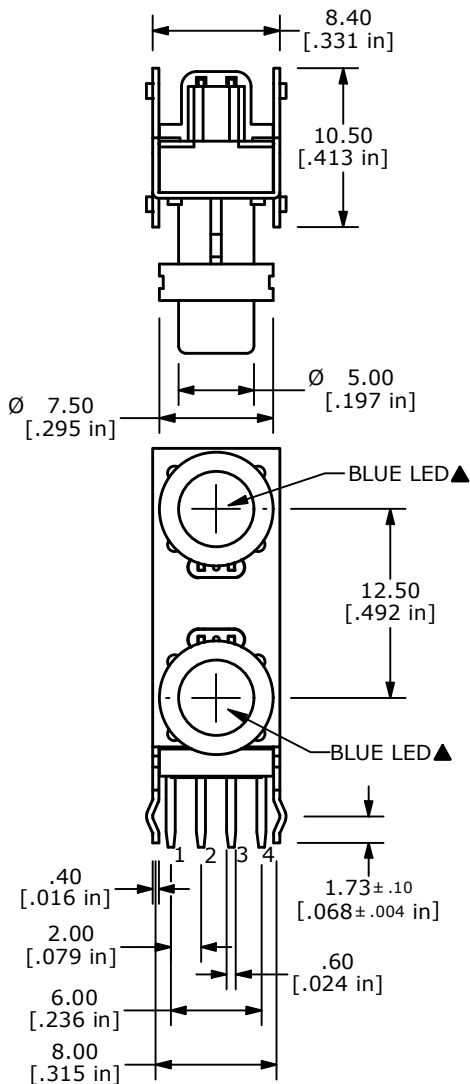
RECOMMENDED PCB LAYOUT



▲ CIRCUIT DIAGRAM

NOTES:

1. ALL DIMENSIONS IN MM
2. GENERAL TOLERANCE: X.X=±0.4
X.XX=±0.25
3. TERM. NOS. FOR REFERENCE ONLY.
4. CONTACT RATING: 50mA @12VDC
5. TRAVEL: 0.25 ±0.1mm
6. CONTACT RESISTANCE: 100 Milli-Ohms Max.
7. OPERATING FORCE: 160 ± 50gf
- ▲ 8. CONTACT MATERIAL: SILVER
9. MECHANICAL LIFE: 500,000 CYCLES
10. OPERATING TEMP: -20°C TO 70°C
11. ▲ DENOTES CRITICAL PARAMETER.
- ▲ 12. PACKAGE: TRAY



REV	ECO NO	DESCRIPTION	DATE	BY
B	ECO-102232	NOTE 12 REMOVE PACKAGE QUANTITY	09/13/23	JS



OBJECT ID
000006186

TITLE TL3253BBABBAF160Q				
SCALE	DATE	DR	DWG	REV
2:1	11/8/2012	EBP	B060006	B

Mouser Electronics

Authorized Distributor

Click to View Pricing, Inventory, Delivery & Lifecycle Information:

[E-Switch:](#)

[TL3253BBABBAF160Q](#)