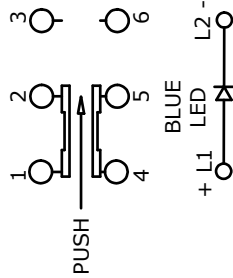


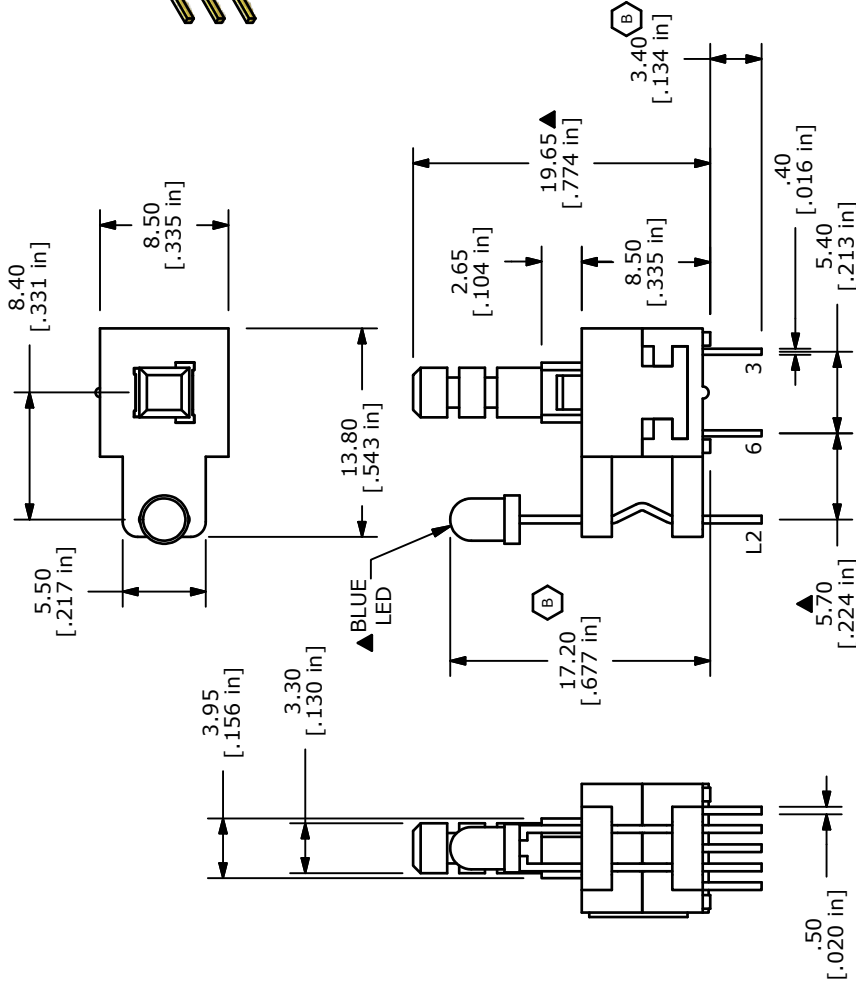
P.C.B. LAYOUT



CIRCUIT DIAGRAM

NOTES:

1. ALL DIMENSIONS IN MM [INCH]
2. GENERAL TOLERANCE: X.X±0.4
X.XX±0.25
3. TERMINAL NUMBERS FOR REF. ONLY
4. CONTACT RATING: 0.1A @ 30VDC
- ▲ 5. TRAVEL: FULL = 2.5±0.3; LOCK = 1.5±0.3mm's
6. OPERATING FORCE: 250± 100gf
7. ELECTRICAL LIFE: 10,000 CYCLES
8. ▲ DENOTES CRITICAL PARAMETER
9. CONTACT MATERIAL: SILVER
10. CONTACT RESISTANCE: 50m OHM MAX.
11. OPERATING TEMPERATURE: -20c TO +70c
12. INSULATION RESISTANCE: 100M OHMS MIN.
- ▲ 13. LED COLOR: BLUE
14. 2002/95/EC (RoHS) COMPLIANT AND HALOGEN FREE



| ▲ LED SPECS | UNITS | BLUE |
|--------------------|-------|---------|
| FORWARD CURRENT | mA | 20 |
| FORWARD VOLTAGE | V | 3.5-4.0 |
| LUMINOUS INTENSITY | MCD | 1,500 |



TITLE TL2205EECPBA

| | | | | |
|-----|--------|----------------------|----------|-----|
| B | 19554 | DIM CHANGES & UPDATE | 12/30/10 | BGL |
| A | 18806 | New-Release | 1/20/10 | rc |
| REV | PCR NO | DESCRIPTION | DATE | BY |

THE INFORMATION CONTAINED IN THIS DOCUMENT IS PROPRIETARY TO E-SWITCH AND IS NOT TO BE COPIED OR TRANSFERRED

SCALE 2:1 DATE 1/20/2010 DR rc

DWG B401008

REV B

Mouser Electronics

Authorized Distributor

Click to View Pricing, Inventory, Delivery & Lifecycle Information:

[E-Switch:](#)

[TL2205EECPBA](#)