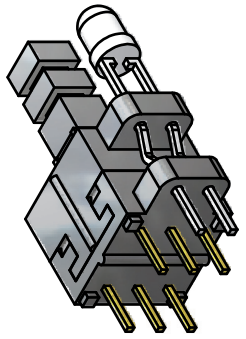
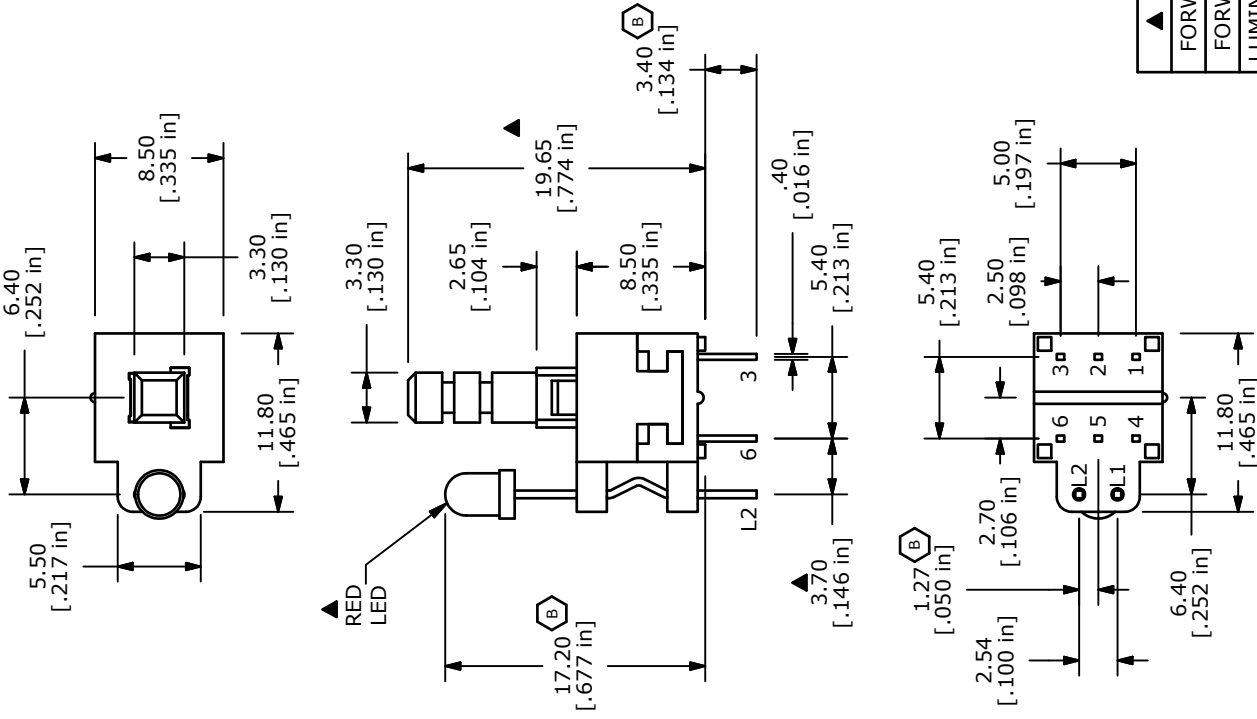


- NOTES:
1. ALL DIMENSIONS IN MM [INCH]
  2. GENERAL TOLERANCE: X.X ± 0.4  
X.XX ± 0.25
  3. TERMINAL NUMBERS FOR REF. ONLY
  4. CONTACT RATING: 0.1A @ 30VDC
  5. CONTACT RESISTANCE: 50 MOHMS MAX
  6. TRAVEL: FULL = 2.5 ± 0.3; LOCK = 1.5 ± 0.3mm'S
  7. OPERATING FORCE: 250 ± 100gf
  8. ELECTRICAL LIFE: 10,000 CYCLES
  9. ▲ DENOTES CRITICAL PARAMETER
  10. CONTACT MATERIAL: SILVER
  11. OPERATING TEMPERATURE: -20c TO +70c
  12. INSULATION RESISTANCE: 100M OHMS MIN.
  - ▲ 13. LED COLOR: RED
  14. 2002/95/EC (RoHS) COMPLIANT AND HALOGEN FREE



▲

▲ LED SPECS	UNITS	RED
FORWARD CURRENT	mA	20
FORWARD VOLTAGE	V	2.0-2.4
LUMINOUS INTENSITY	MCD	120



TITLE TL2205EEBPR

SCALE	DATE	DR	DWG	REV
2:1	1/20/2010	rc	B401000	B

B	19554	DIM CHANGES & UPDATE	12/30/10	BGL
A	18806	New-Release	1/20/10	rc
REV	PCR NO	DESCRIPTION	DATE	BY
THE INFORMATION CONTAINED IN THIS DOCUMENT IS PROPRIETARY TO E-SWITCH AND IS NOT TO BE COPIED OR TRANSFERRED				

# Mouser Electronics

Authorized Distributor

Click to View Pricing, Inventory, Delivery & Lifecycle Information:

[E-Switch:](#)

[TL2205EEBPRA](#)