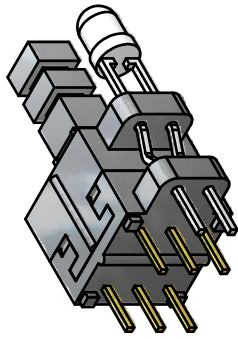
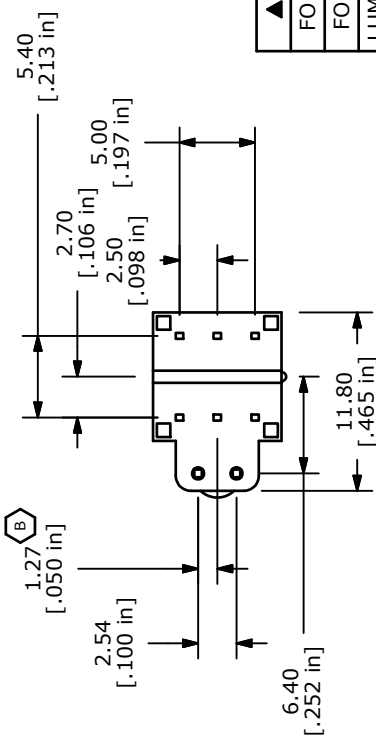
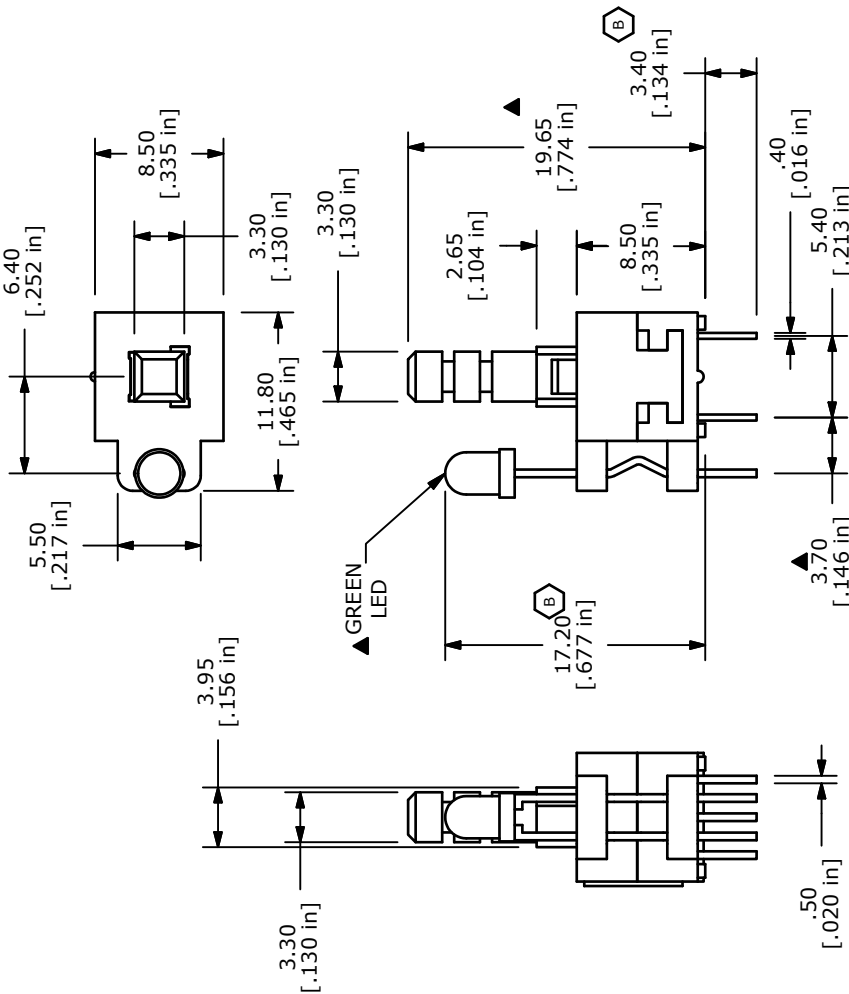


- NOTES:
1. ALL DIMENSIONS IN MM [INCH]
 2. GENERAL TOLERANCE: X.X±0.4
X.XX±0.25
 3. TERMINAL NUMBERS FOR REF. ONLY
 4. CONTACT RATING: 0.1A @ 30VDC
 5. CONTACT RESISTANCE: 50m OHM MAX.
 6. TRAVEL: FULL = 2.5±0.3; LOCK = 1.5±0.3mm'S
 7. OPERATING FORCE: 250±100gf
 8. ELECTRICAL LIFE: 10,000 CYCLES
 9. ▲ DENOTES CRITICAL PARAMETER
 10. CONTACT MATERIAL: SILVER
 11. OPERATING TEMPERATURE: -20c TO +70c
 12. INSULATION RESISTANCE: 100M OHMS MIN.
 - ▲ 13. LED COLOR: GREEN
 14. 2002/95/EC (RoHS) COMPLIANT AND HALOGEN FREE



▲ LED SPECS	UNITS	GREEN
FORWARD CURRENT	mA	20
FORWARD VOLTAGE	V	2.0-2.6
LUMINOUS INTENSITY	MCD	-



TITLE TL2205EEBPGA

B	19554	DIM CHANGES & UPDATE	12/30/10	BGL
A	18806	New-Release	1/20/10	rc
REV	PCR NO	DESCRIPTION	DATE	BY

THE INFORMATION CONTAINED IN THIS DOCUMENT IS PROPRIETARY TO E-SWITCH AND IS NOT TO BE COPIED OR TRANSFERRED

SCALE	2:1	DATE	1/20/2010	DR	rc	DWG	B401004	REV	B
-------	-----	------	-----------	----	----	-----	---------	-----	---

Mouser Electronics

Authorized Distributor

Click to View Pricing, Inventory, Delivery & Lifecycle Information:

[E-Switch:](#)

[TL2205EEBPGA](#)