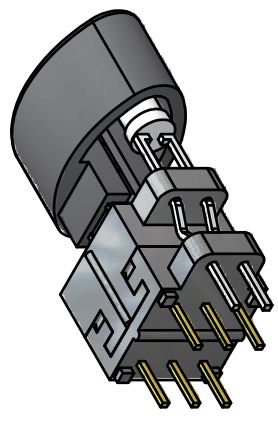
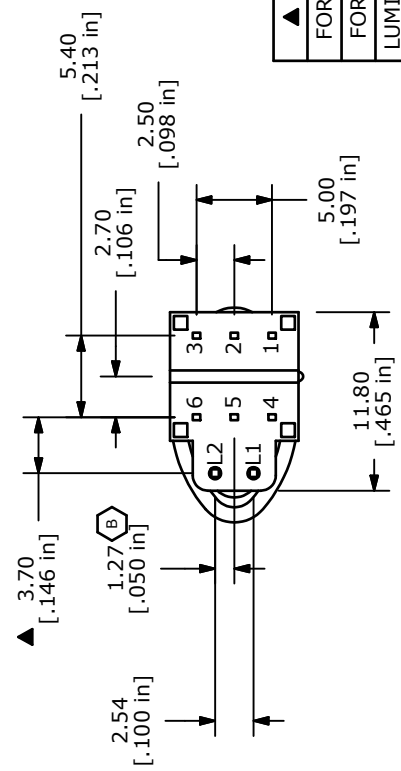
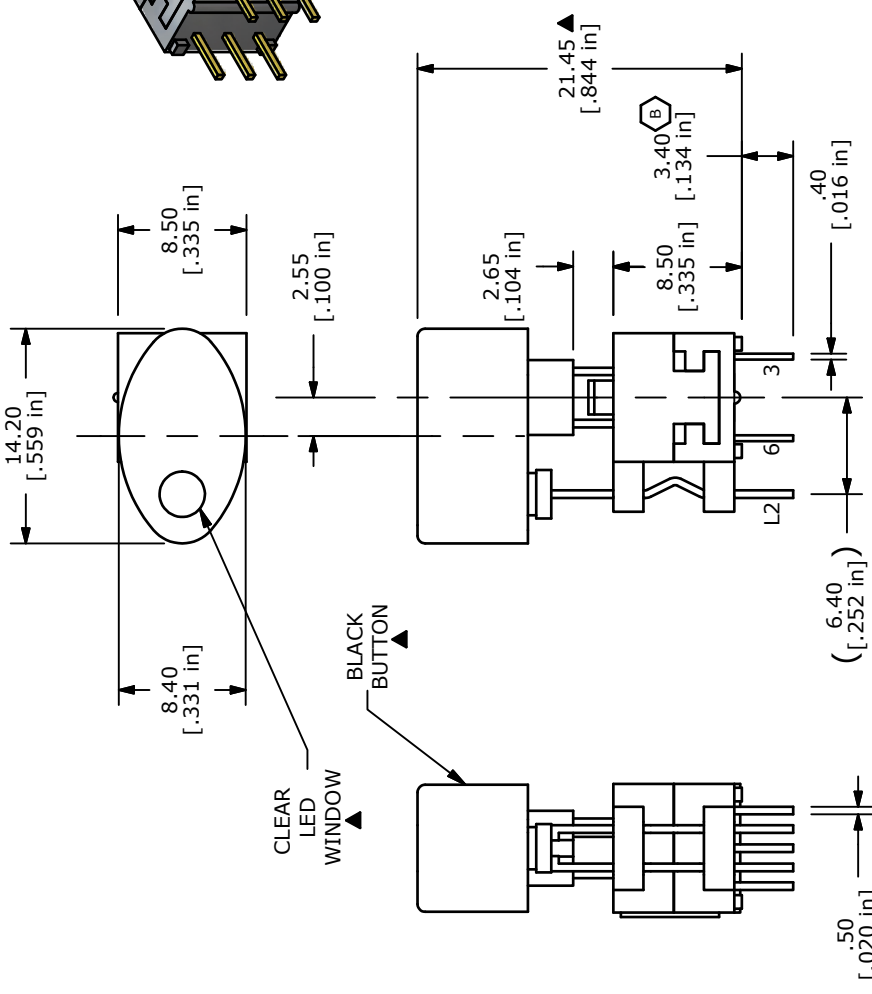


- NOTES:
1. ALL DIMENSIONS IN MM [INCH]
  2. GENERAL TOLERANCE: X.X ± 0.4  
X.XX ± 0.25
  3. TERMINAL NUMBERS FOR REF. ONLY
  4. CONTACT RATING: 0.1A @ 30VDC
  - ▲ 5. TRAVEL: FULL = 2.5 ± 0.3; LOCK = 1.5 ± 0.3mm'S
  6. OPERATING FORCE: 250 ± 100gf
  7. ELECTRICAL LIFE: 10,000 CYCLES
  8. ▲ DENOTES CRITICAL PARAMETER
  9. CONTACT MATERIAL: SILVER
  10. CONTACT RESISTANCE: 50m OHM MAX.
  11. OPERATING TEMPERATURE: -20c TO +70c
  12. INSULATION RESISTANCE: 100M OHMS MIN.
  - ▲ 13. LED COLOR: BLUE
  14. 2002/95/EC (RoHS) COMPLIANT AND HALOGEN FREE



▲ LED SPECS	UNITS	BLUE
FORWARD CURRENT	mA	20
FORWARD VOLTAGE	V	3.5-4.0
LUMINOUS INTENSITY	MCD	1,500



TITLE TL2205EEBPBB

B	19554	DIM CHANGES & UPDATE	12/30/10	BGL
A	18806	New-Release	1/20/10	rc
REV	PCR NO	DESCRIPTION	DATE	BY

THE INFORMATION CONTAINED IN THIS DOCUMENT IS PROPRIETARY TO E-SWITCH AND IS NOT TO BE COPIED OR TRANSFERRED

SCALE	2:1	DATE	1/20/2010	DR	rc	DWG	B401012	REV	B
-------	-----	------	-----------	----	----	-----	---------	-----	---

# Mouser Electronics

Authorized Distributor

Click to View Pricing, Inventory, Delivery & Lifecycle Information:

[E-Switch:](#)

[TL2205EEBPBB](#)