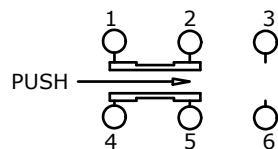
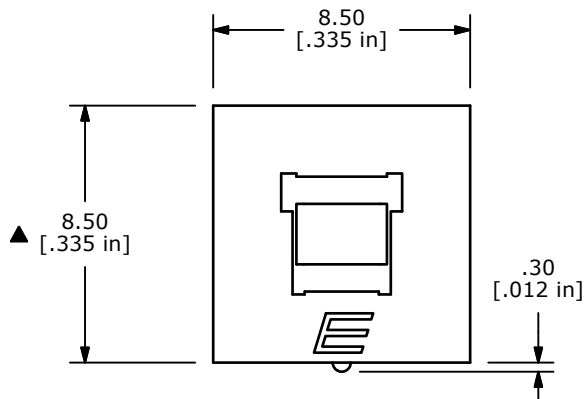


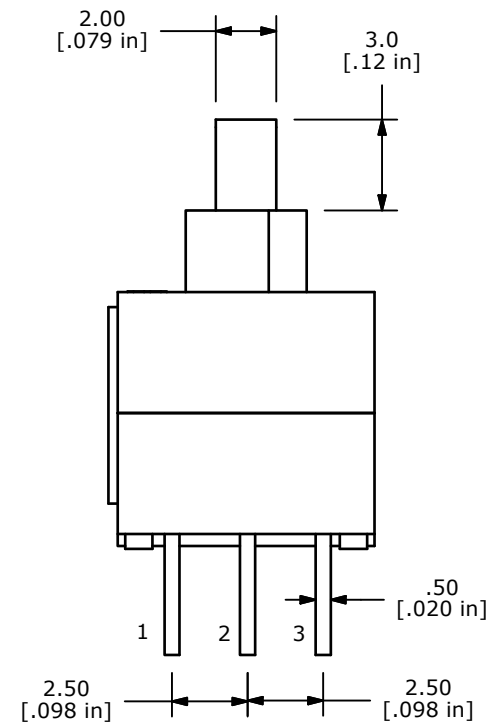
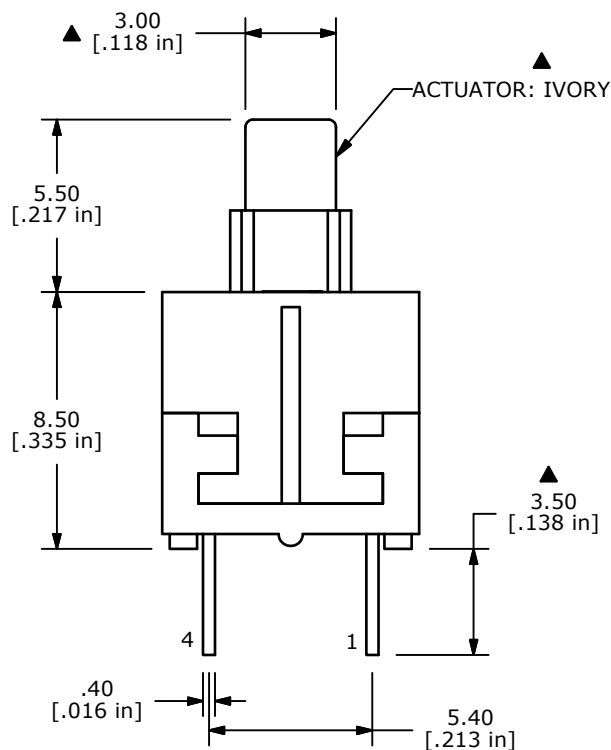
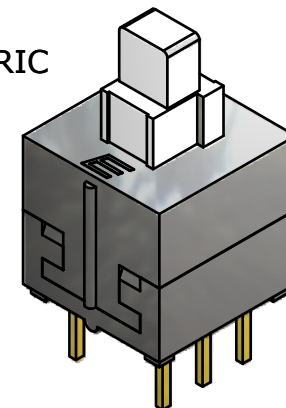
SWITCH FUNCTION	
POS. 1	POS. 2
ON	ON
2-1, 5-4	2-3, 5-6



- NOTES:
1. ALL DIMENSIONS IN MM [INCH]
 2. GENERAL TOLERANCE: X.X±0.4
X.XX±0.25
 3. TERMINAL NUMBERS FOR REF. ONLY
 - ▲ 4. RATING: 0.1A @ 30VDC
 5. TRAVEL: FULL = 2.5, LOCK = 1.5
 6. OPERATING FORCE: 220±50gf
 7. ELECTRICAL LIFE: 10,000 CYCLES
 8. ▲ DENOTES CRITICAL PARAMETER
 9. CONTACT MATERIAL: SILVER
 10. 2002/95/EC (RoHS) COMPLIANT



ISOMETRIC



B	19719	CHANGED TERMINAL NUMBERS	2/25/11	BGL
A	17968	RELEASE FOR PRODUCTION	2/22/08	BLR
REV	PCR NO	DESCRIPTION	DATE	BY

TITLE TL2202EEXA				
SCALE 2:1	DATE 2/22/2008	DR BLR	DWG P010394	REV B

THE INFORMATION CONTAINED IN THIS DOCUMENT IS PROPRIETARY TO E-SWITCH AND IS NOT TO BE COPIED OR TRANSFERRED

Mouser Electronics

Authorized Distributor

Click to View Pricing, Inventory, Delivery & Lifecycle Information:

[E-Switch:](#)

[TL2202EEXA](#)