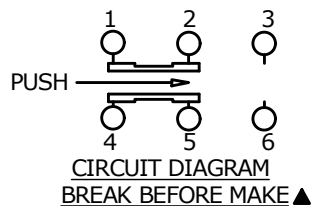


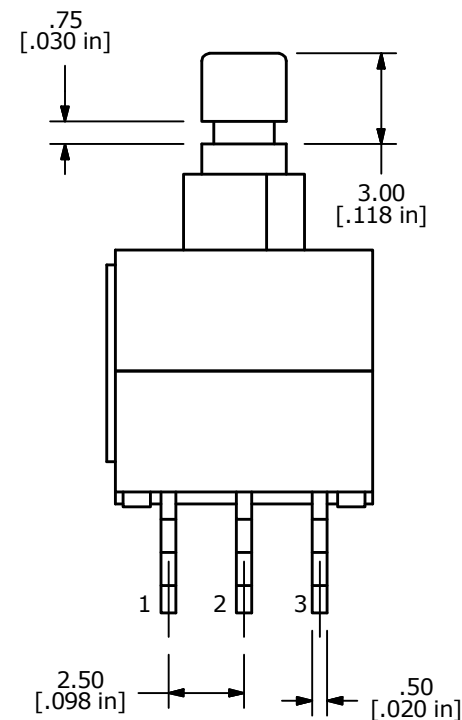
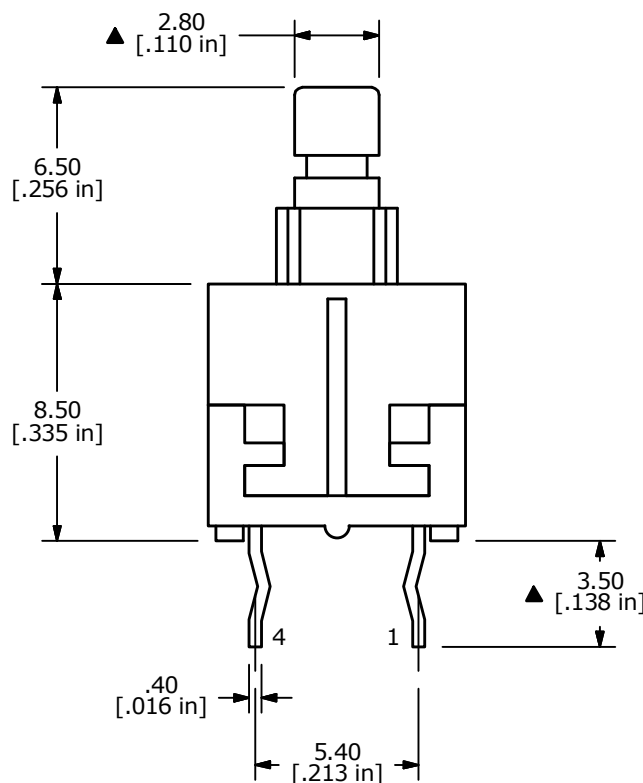
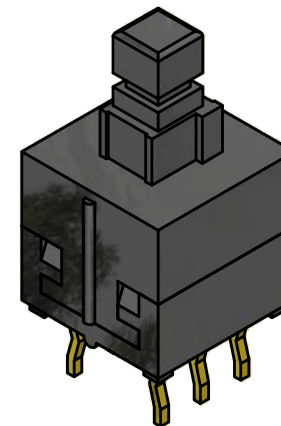
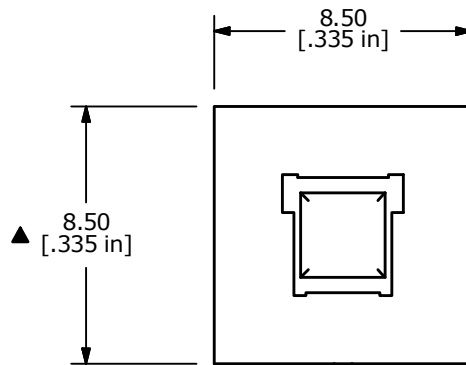
SWITCH FUNCTION	
POS. 1	POS. 2
ON	(ON)
2-1, 5-4	2-3, 5-6

(ON)=MOMENTARY



NOTES:

1. ALL DIMENSIONS IN MM [INCH]
2. GENERAL TOLERANCE: X.X±0.4
X.XX±0.25
3. TERMINAL NUMBERS FOR REF. ONLY
- ▲ 4. RATING: 0.1A @ 30VDC
5. TRAVEL: 2.50±0.38mm
6. OPERATING FORCE: 220±50gf
7. ELECTRICAL LIFE: 10,000 CYCLES
8. ▲DENOTES CRITICAL PARAMETER



D	19697	CHANGED TERMINAL NUMBERS	2/21/11	BGL
C	18018	Redrawn and chg force from 180 to 220	3/17/08	rc
REV	PCR NO	DESCRIPTION	DATE	BY

TITLE TL2201OAZB				
SCALE	DATE	DR	DWG	REV
4:1	3/17/2008	rc	P010358	D

THE INFORMATION CONTAINED IN THIS DOCUMENT IS PROPRIETARY TO E-SWITCH AND IS NOT TO BE COPIED OR TRANSFERRED

Mouser Electronics

Authorized Distributor

Click to View Pricing, Inventory, Delivery & Lifecycle Information:

[E-Switch:](#)

[TL2201OAZB](#)