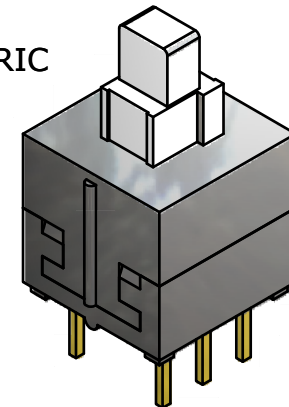
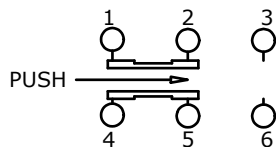


ISOMETRIC



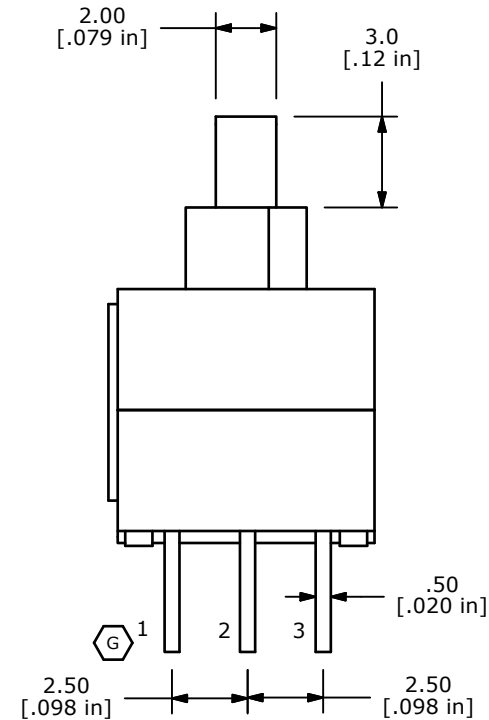
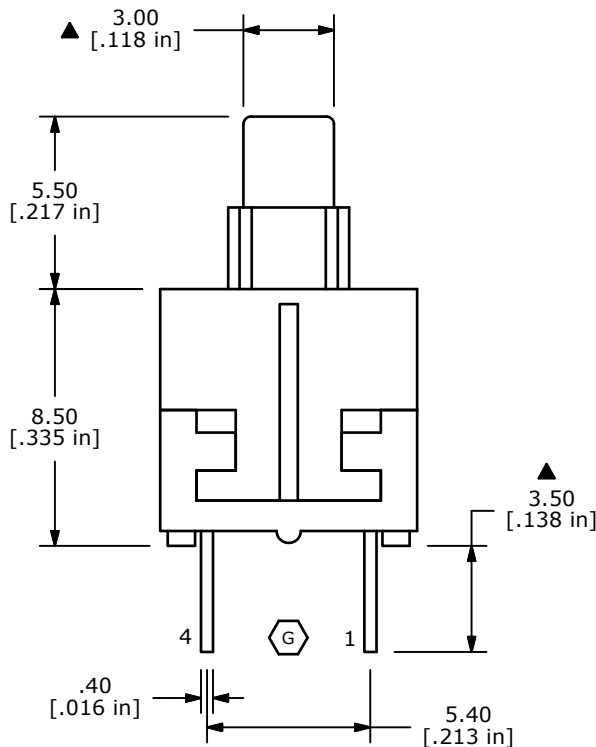
| SWITCH FUNCTION | |
|-----------------|----------|
| POS. 1 | POS. 2 |
| | |
| ON | ON |
| 2-1, 5-4 | 2-3, 5-6 |



CIRCUIT DIAGRAM (DPDT)
BREAK BEFORE MAKE

NOTES:

1. ALL DIMENSIONS IN MM [INCH]
2. GENERAL TOLERANCE: X.X=± 0.4
X.XX=± 0.25
3. TERMINAL NUMBERS FOR REF. ONLY
- ▲ 4. RATING: 0.1A @ 30VDC
5. TRAVEL: FULL = 2.5, LOCK = 1.5
6. OPERATING FORCE: 220± 50gf
7. ELECTRICAL LIFE: 10,000 CYCLES
8. ▲ DENOTES CRITICAL PARAMETER
9. CONTACT MATERIAL: SILVER
10. 2002/95/EC (RoHS) COMPLIANT



| | | | | |
|-----|--------|---------------------------------------|----------|-----|
| G | 19364 | CORRECT TERMINAL NUMBERS | 10/19/10 | BMA |
| F | 18022 | Redrawn and chg force from 180 to 220 | 3/17/08 | rc |
| REV | PCR NO | DESCRIPTION | DATE | BY |

THE INFORMATION CONTAINED IN THIS DOCUMENT IS PROPRIETARY TO E-SWITCH AND IS NOT TO BE COPIED OR TRANSFERRED

| | | | |
|------------------|-----------|---------|-----|
| | | | |
| TITLE TL2201EEXA | | | |
| SCALE | DATE | DR | REV |
| 2:1 | 3/17/2008 | BLR | G |
| | | DWG | |
| | | P010350 | |

Mouser Electronics

Authorized Distributor

Click to View Pricing, Inventory, Delivery & Lifecycle Information:

[E-Switch:](#)

[TL2201EEXA](#)