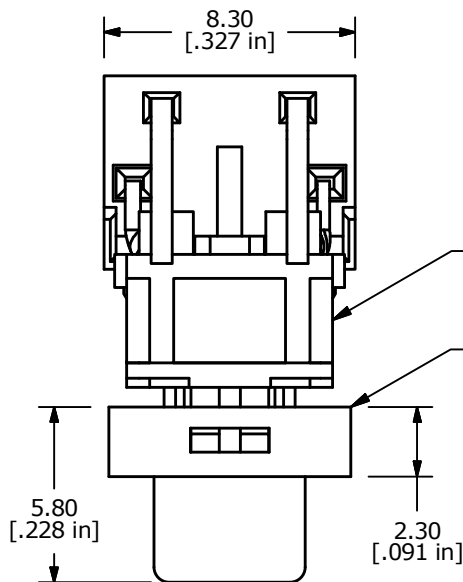


▲ CIRCUIT: SPST

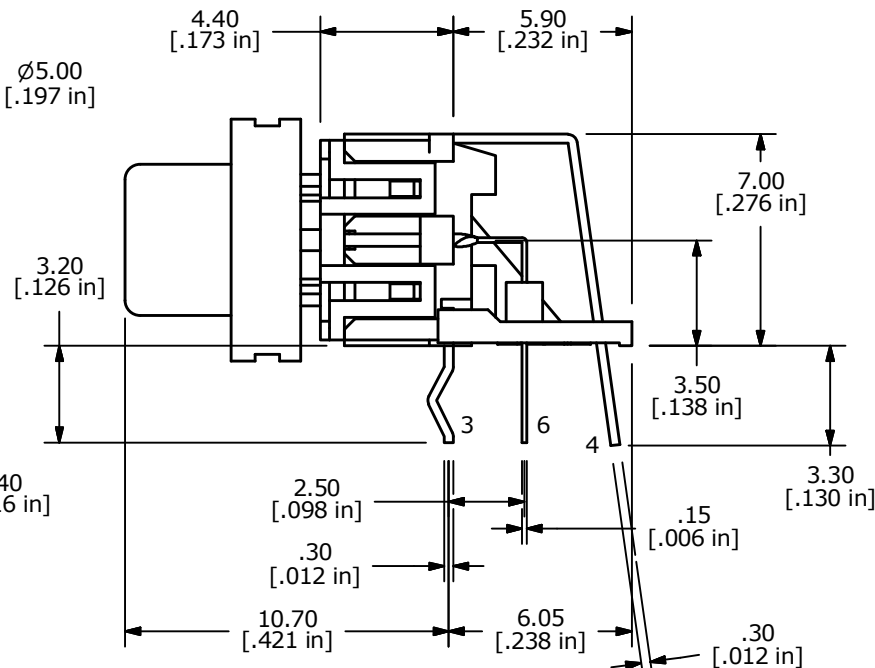
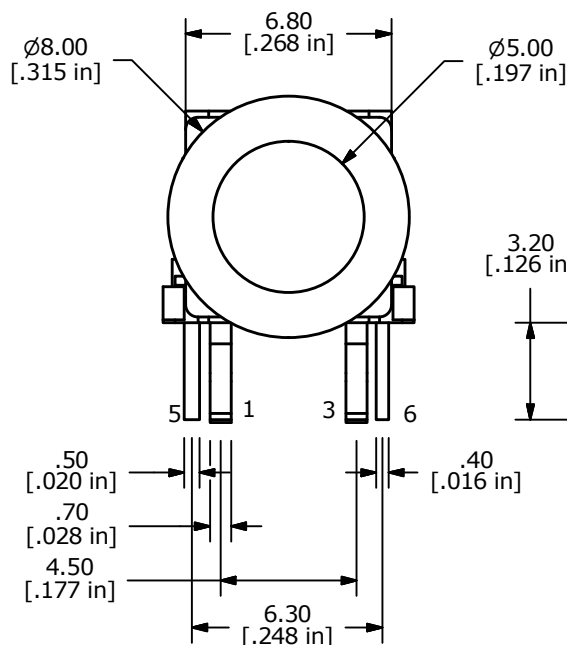
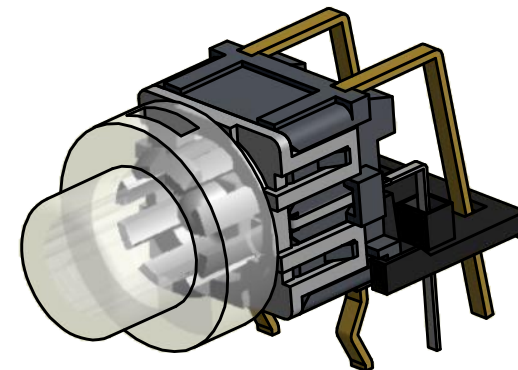
LED SPECS	UNITS	RED
FORWARD CURRENT	mA	20
FORWARD VOLTAGE @20mA	V	1.95-2.5
LUMINOUS INTENSITY @ 20mA	mcd	180

NOTES:

1. ALL DIMENSIONS IN MM [INCH]
2. GENERAL TOLERANCE: X.X=±0.4  
X.XX=±0.25
3. RATING: 12VDC @ 50mA
4. CONTACT RESISTANCE: 100mΩ MAX.
5. INSULATION RESISTANCE: 100MΩ MIN.
6. OPERATING FORCE: 280 ± 70gf
7. TRAVEL: 0.25 ± 0.15mm
8. OPERATING TEMPERATURE: -20°C TO 70°C
9. OPERATING LIFE: 50,000 CYCLES
- ▲ 10. LED: RED
- ▲ 11. GOLD CONTACTS:  
TERMINALS, 20 MICRO-INCHES MIN GOLD  
MOVING CONTACT, 10 MICRO INCHES MIN GOLD.
12. ▲ DENOTES CRITICAL PARAMETERS
13. 2011/65/EU (ROHS) COMPLIANT
14. PARTS TO BE PACKAGED IN TRAYS,  
100 PIECES PER TRAY.



- ▲ USE GOLD DOME P990004
- ▲ CAP MATERIAL TO BE CLEAR POLYCARBONATE



C	23179	UPDATED NOTE ..TUBES,60 TO TRAYS,100	1/22/18	MJR
B	18714	CHANGE DOME # (WAS P990005 - 160 gf)	11/17/09	BLR
REV	PCR NO	DESCRIPTION	DATE	BY

TITLE TL1250F280RRRCLR				
SCALE	DATE	DR	DWG	REV
4:1	11/17/2009	BLR	P010817	C

# Mouser Electronics

Authorized Distributor

Click to View Pricing, Inventory, Delivery & Lifecycle Information:

[E-Switch:](#)

[TL1250F280RRRCLR](#)