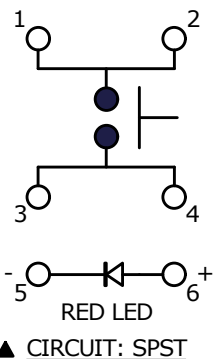
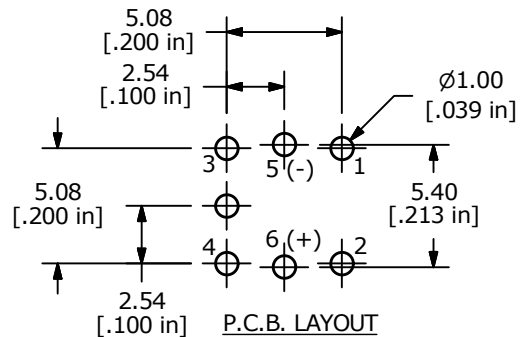
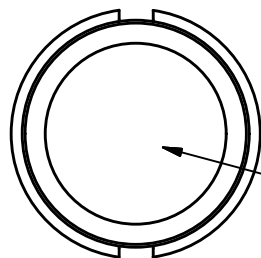


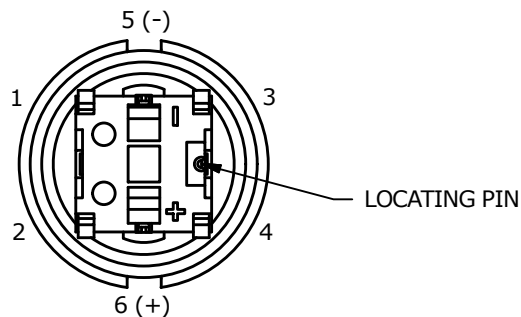
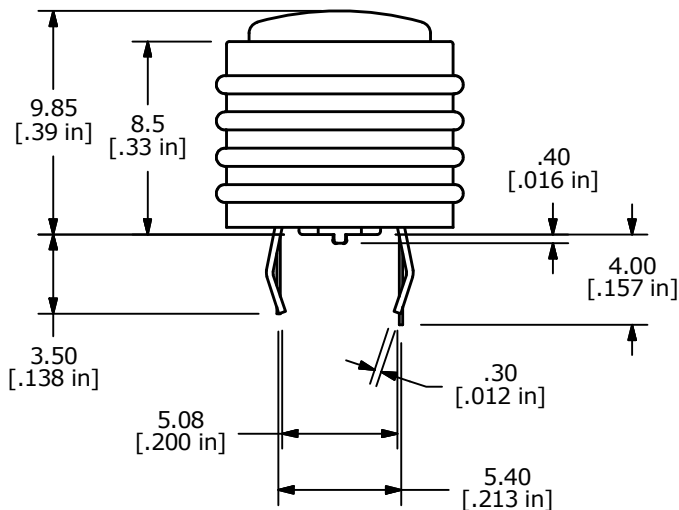
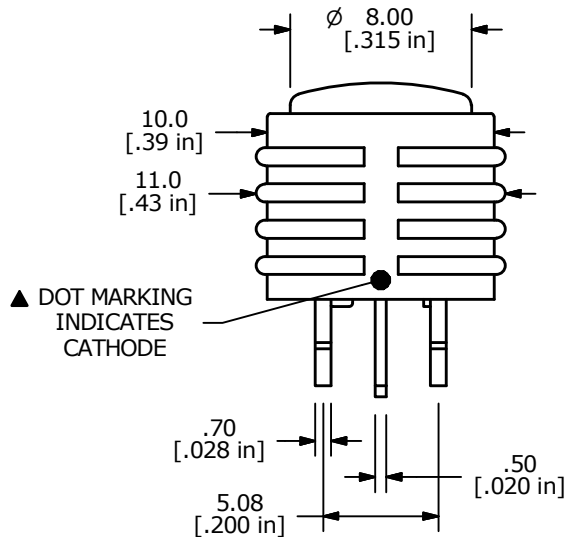
▲ LED SPECS	UNITS	RED
FORWARD CURRENT	mA	20
FORWARD VOLTAGE @ 20mA	V	1.95 typ.-2.5 max.
LUMINOUS INTENSITY @ 20mA	mcd	200 typ.



- NOTES:
1. ALL DIMENSIONS IN MM [INCH]
 2. GENERAL TOLERANCE: X.X = ±0.4
X.XX = ±0.25
 3. RATING: 12VDC @ 50mA
 4. CONTACT RESISTANCE: 100mΩ MAX.
 5. INSULATION RESISTANCE: 100MΩ MIN.
 - ▲ 6. OPERATING FORCE: 180± 50gf
 7. TRAVEL: 0.2± 0.1mm
 8. OPERATING TEMPERATURE: -40°C TO 85°C
 9. OPERATING LIFE: 500,000 CYCLES
 - ▲ 10. LED: RED
 11. ▲ DENOTES CRITICAL PARAMETERS
 12. 2002/95/EC (ROHS) COMPLIANT
 13. PARTS TO BE PACKAGED 90 PARTS PER TRAY.



▲ WHITE CAP
TRANSLUCENT
TO SEE LED
LED COLOR: RED



TITLE TL1220R5BBWRN				
SCALE 3:1	DATE 6/28/2016	DR MW	DWG B260050	REV A

Mouser Electronics

Authorized Distributor

Click to View Pricing, Inventory, Delivery & Lifecycle Information:

[E-Switch:](#)

[TL1220R5BBWRN](#)