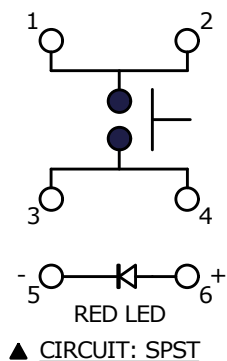
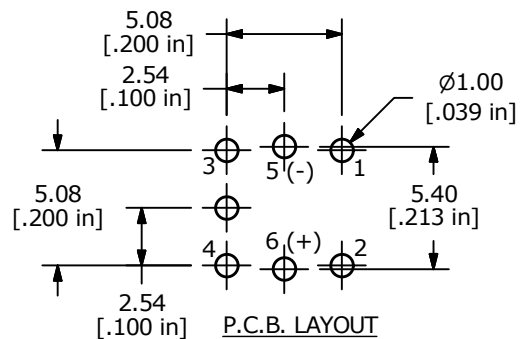
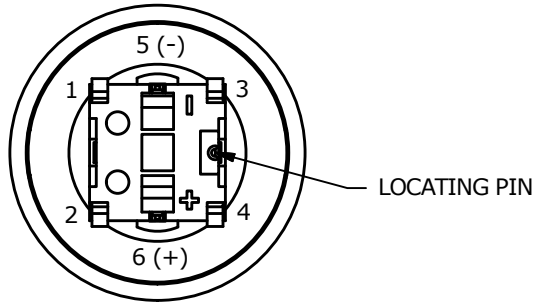
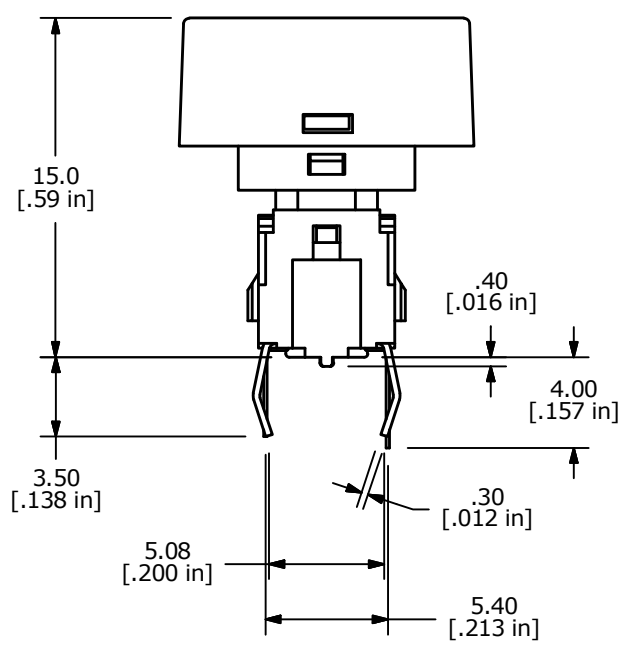
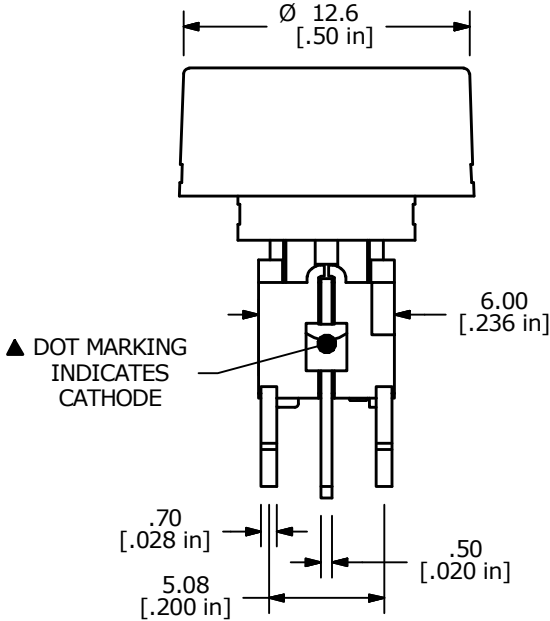
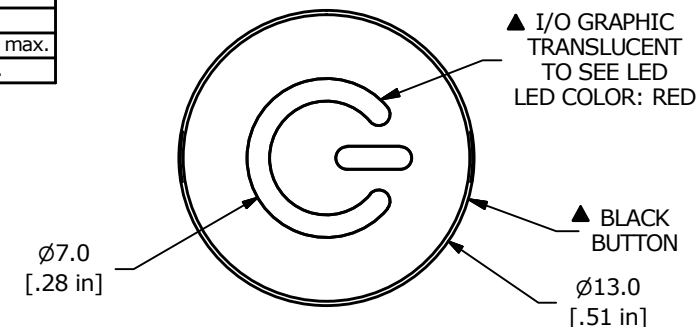


▲ LED SPECS	UNITS	RED
FORWARD CURRENT	mA	20
FORWARD VOLTAGE @ 20mA	V	1.95 typ.-2.5 max.
LUMINOUS INTENSITY @ 20mA	mcd	200 typ.



- NOTES:
1. ALL DIMENSIONS IN MM [INCH]
 2. GENERAL TOLERANCE: X.X = ±0.4
X.XX = ±0.25
 3. RATING: 12VDC @ 50mA
 4. CONTACT RESISTANCE: 100mΩ MAX.
 5. INSULATION RESISTANCE: 100MΩ MIN.
 - ▲ 6. OPERATING FORCE: 180± 50gf
 7. TRAVEL: 0.2± 0.1mm
 8. OPERATING TEMPERATURE: -40°C TO 85°C
 9. OPERATING LIFE: 500,000 CYCLES
 - ▲ 10. LED: RED
 11. ▲ DENOTES CRITICAL PARAMETERS
 12. 2002/95/EC (ROHS) COMPLIANT
 13. PARTS TO BE PACKAGED 50 PARTS PER TRAY.



A	22374	New Release	7/12/16	MW
REV	PCR NO	DESCRIPTION	DATE	BY
THE INFORMATION CONTAINED IN THIS DOCUMENT IS PROPRIETARY TO E-SWITCH AND IS NOT TO BE COPIED OR TRANSFERRED				

TITLE TL1220R4NNBR				
SCALE	DATE	DR	DWG	REV
3:1	6/28/2016	MW	B260048	A

Mouser Electronics

Authorized Distributor

Click to View Pricing, Inventory, Delivery & Lifecycle Information:

[E-Switch:](#)

[TL1220R4NNBR](#)