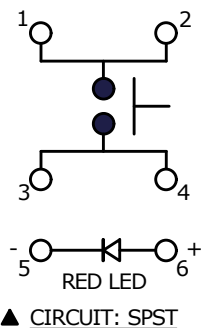
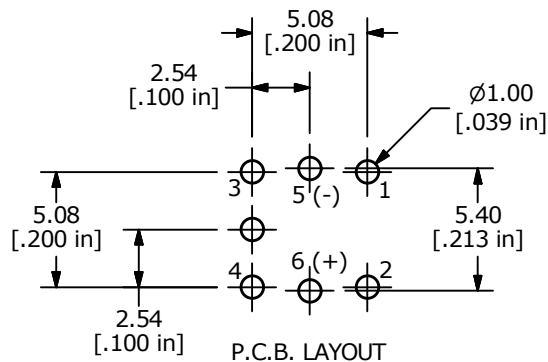
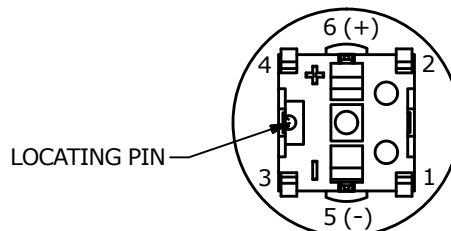
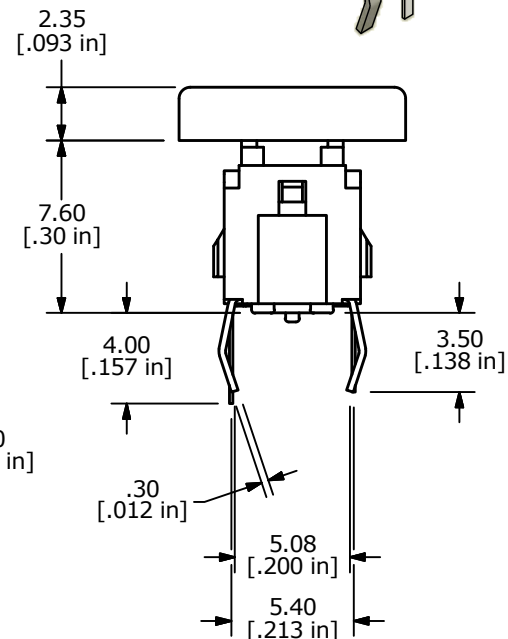
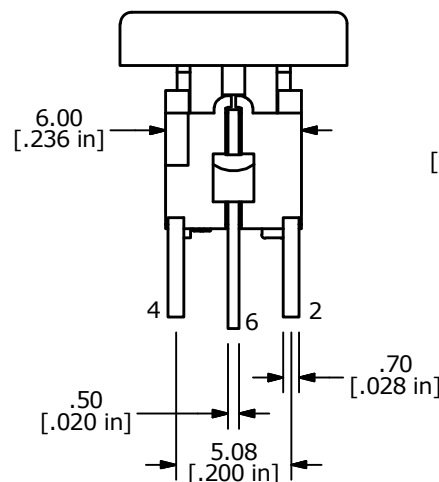
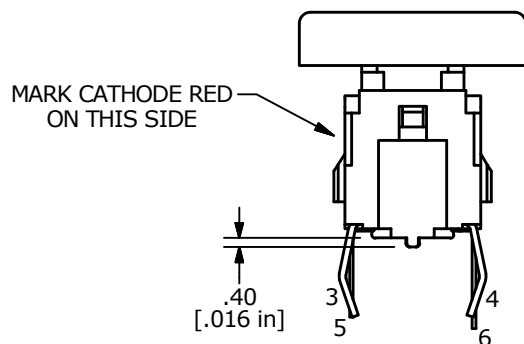
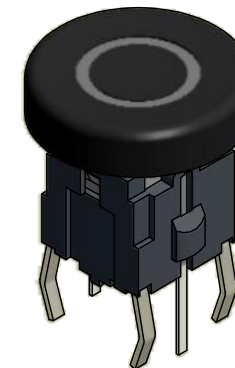
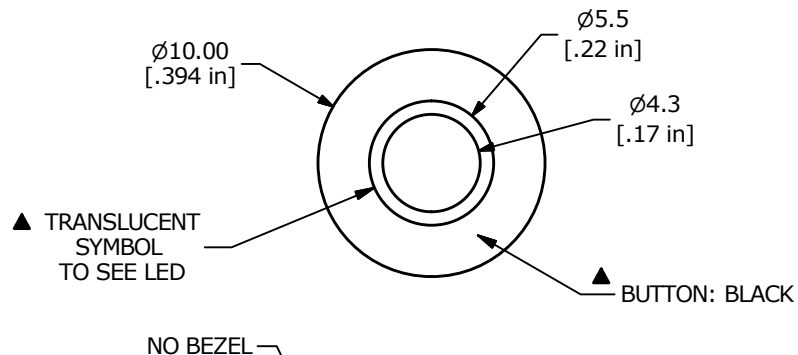


▲ LED SPECS	UNITS	RED
FORWARD CURRENT	mA	20
FORWARD VOLTAGE @20mA	V	1.95-2.5
LUMINOUS INTENSITY @ 20mA	mcd	200



- NOTES:
1. ALL DIMENSIONS IN MM [INCH]
 2. GENERAL TOLERANCE: X.X = ±0.4
X.XX = ±0.25
 3. RATING: 12VDC @ 50mA
 4. CONTACT RESISTANCE: 100mΩ MAX. 1.5VDC; 100mA
 5. INSULATION RESISTANCE: 100MΩ MIN. 500VDC
 6. OPERATING FORCE: 180± 50gf
 7. TRAVEL: 0.2± 0.1mm
 8. OPERATING TEMPERATURE: -40°C to 85°C
 9. OPERATING LIFE: 500,000 CYCLES
 10. LED: RED
 11. ▲ DENOTES CRITICAL PARAMETERS
 12. 2011/65/EU (ROHS) COMPLIANT
 13. TERMINAL NUMBERS FOR REFERENCE ONLY
 14. PARTS TO BE PACKAGED 50 PARTS PER TRAY.



B	23272	add 5.40mm dim.	3/26/18	MW
A	21972	RELEASE FOR PRODUCTION	9/11/15	MW
REV	PCR NO	DESCRIPTION	DATE	BY

TITLE TL1220R3NNBR-HALO				
SCALE	DATE	DR	DWG	REV
3:1	9/4/2015	MW	B260031	B

Mouser Electronics

Authorized Distributor

Click to View Pricing, Inventory, Delivery & Lifecycle Information:

[E-Switch:](#)

[TL1220R3NNBR-HALO](#)