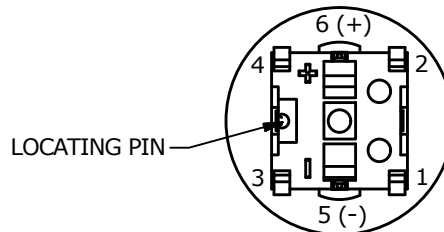
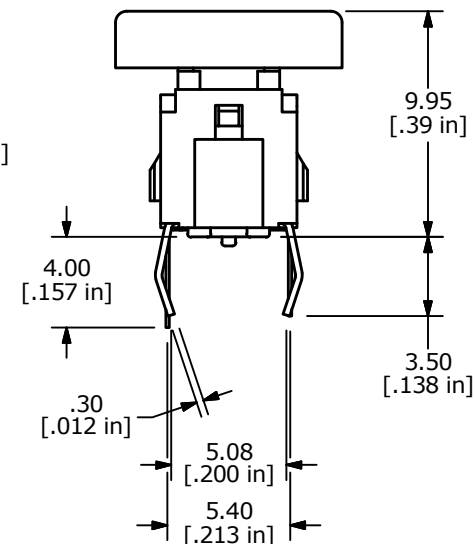
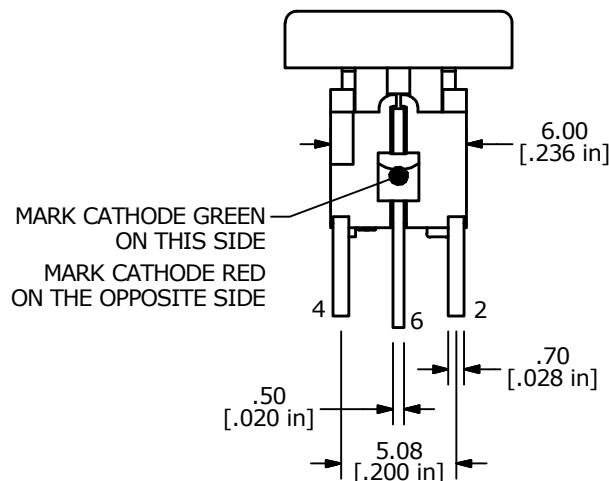
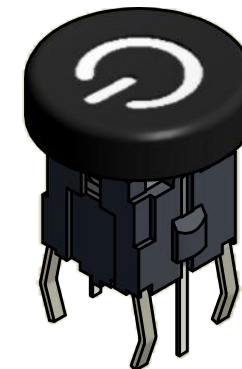
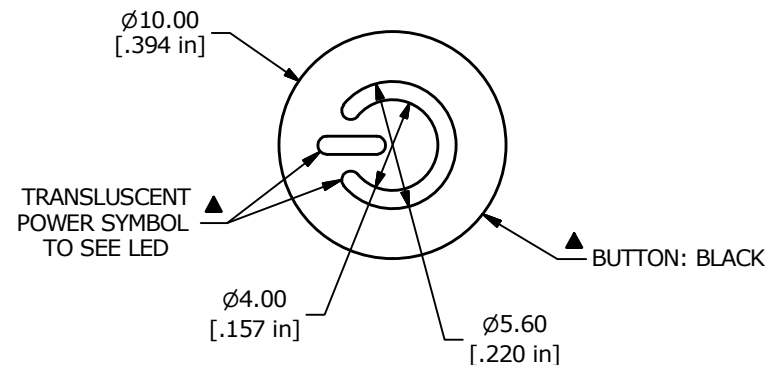
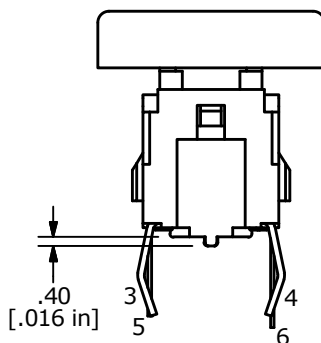
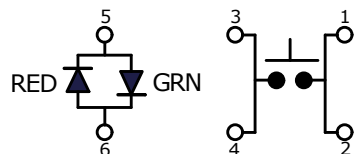
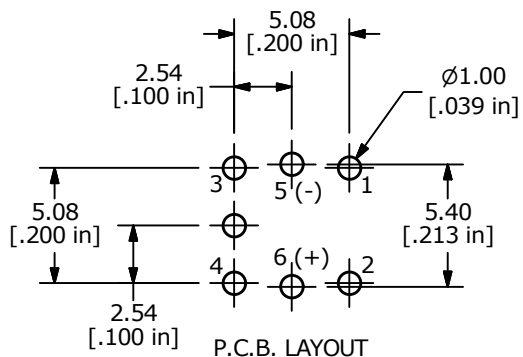


▲ LED SPECS	UNITS	RED	GREEN
FORWARD CURRENT	mA	20	20
FORWARD VOLTAGE @20mA	V	1.95-2.5	2.1-2.5
LUMINOUS INTENSITY @20mA	mcd	250	45



NOTES:

- ALL DIMENSIONS IN MM [INCH]
- GENERAL TOLERANCE: X.X = ±0.4
X.XX = ±0.25
- RATING: 12VDC @ 50mA
- CONTACT RESISTANCE: 100mΩ MAX. 1.5VDC; 100mA
- INSULATION RESISTANCE: 100MΩ MIN. 500VDC
- OPERATING FORCE: 180± 50gf
- TRAVEL: 0.2± 0.1mm
- OPERATING TEMPERATURE: -40°C to 85°C
- OPERATING LIFE: 500,000 CYCLES
- LED: RED / GREEN
- ▲ DENOTES CRITICAL PARAMETERS
- 2011/65/EU (ROHS) COMPLIANT
- TERMINAL NUMBERS FOR REFERENCE ONLY
- PARTS TO BE PACKAGED 50 PARTS PER TRAY.

C	23272	add 5.40mm dim.	3/26/18	MW
B	21979	UPDATE I/O SYMBOL, ADD 13.45 dim.	9/8/15	MW
A	21960	RELEASE FOR PRODUCTION	8/24/15	MW
REV	PCR NO	DESCRIPTION	DATE	BY



TITLE TL1220R3NNBRG-POWER

SCALE	DATE	DR	DWG	REV
3:1	8/24/2015	MW	B260028	C

Mouser Electronics

Authorized Distributor

Click to View Pricing, Inventory, Delivery & Lifecycle Information:

[E-Switch:](#)

[TL1220R3NNBRG-POWER](#)