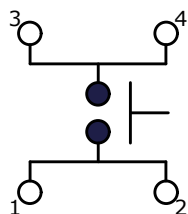
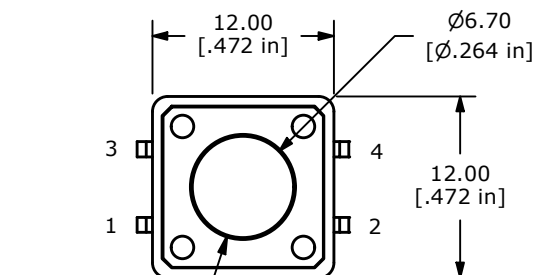


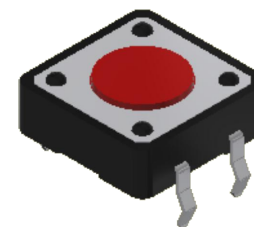
P.C.B. LAYOUT



▲ CIRCUIT: SPST

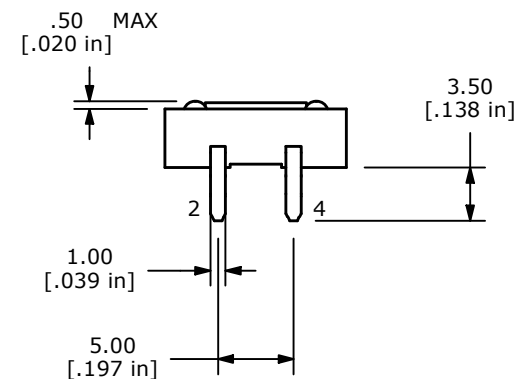
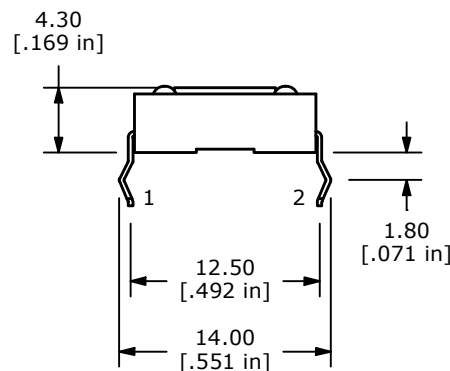


▲ ACTUATOR COLOR: RED



NOTES:

1. ALL DIMENSIONS IN MM [INCH]
2. GENERAL TOLERANCE: X.X = ± 0.4
X.XX = ± 0.25
3. TERMINAL NUMBERS FOR REF. ONLY
4. CONTACT RATING: 50mA @ 12VDC
5. TRAVEL: 0.30 ± 0.15mm
- ▲ 6. OPERATING FORCE: 260 ± 50gf
7. CONTACT RESISTANCE: 100mΩ MAX.
8. ELECTRICAL LIFE: 100,000 CYCLES
9. ▲ DENOTES CRITICAL PARAMETER
10. CONTACT MATERIAL: SILVER



REV	ECO NO	DESCRIPTION	DATE	BY
B	ECO-102067	PRINT UPDATE	08/11/23	JS



OBJECT ID
000017209

TITLE TL1100DF260Q				
SCALE 2:1	DATE 2/22/2001	DR CJB	DWG P001107	REV B

Mouser Electronics

Authorized Distributor

Click to View Pricing, Inventory, Delivery & Lifecycle Information:

[E-Switch:](#)

[TL1100DF260Q](#)