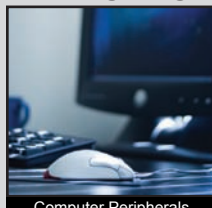


TD4700 SERIES DETECTOR SWITCH

ANTI-VANDAL SWITCHES
 DETECTOR SWITCHES
 DIP SWITCHES
 KEYLOCK SWITCHES
 NAVIGATION SWITCHES
 PUSHBUTTON SWITCHES
 ROCKER SWITCHES
 ROTARY SWITCHES
 SLIDE SWITCHES
 SNAP ACTION SWITCHES
 TACTILE SWITCHES
 TOGGLE SWITCHES
 CAP OPTIONS



APPLICATIONS / MARKETS



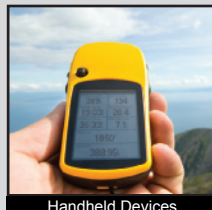
Computer Peripherals



Consumer Electronics



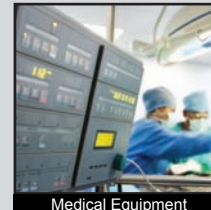
Testing Equipment



Handheld Devices



Gaming and Computer



Medical Equipment

RoHS

SPECIFICATIONS

Electrical Rating: 1mA, 5VDC
Life Expectancy: 100,000 Cycles
Contact Resistance: 2Ω Max.Initial
Insulation Resistance: 100MΩ Min. @ 100VDC
Dielectric Strength: 100VAC for 1 minute
Operating Temperature: -10°C to 60°C
Storage Temperature: -20°C to 70°C
Travel: 2.2mm
Contact Arrangement: SPST
Actuation Force: 50 grams max

FEATURES & BENEFITS

- Ultraminiature
- Ultra-low profile
- Guiding post offers easy orientation

PART NUMBER CONFIGURATOR

Series	Mounting Bosses	Plating
<input type="checkbox"/> <input type="checkbox"/> <input type="checkbox"/> <input type="checkbox"/> <input type="checkbox"/> <input type="checkbox"/>	<input type="checkbox"/>	<input type="checkbox"/>
TD4700	A - Without Bosses B - With Bosses	Q - Silver

Specifications subject to change without notice



E-SWITCH®

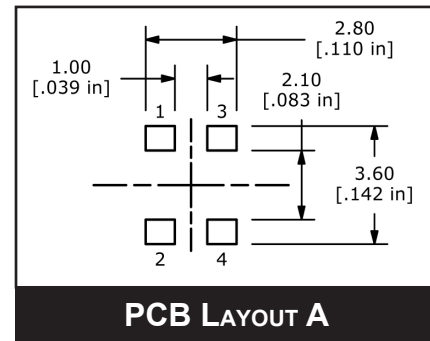
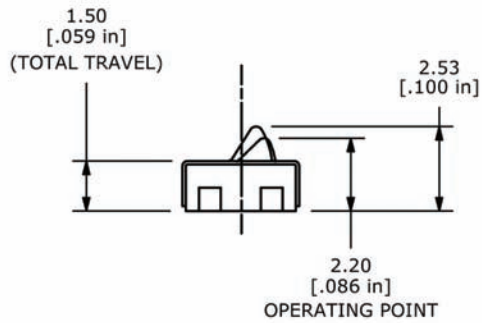
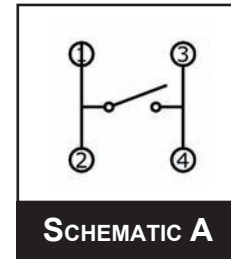
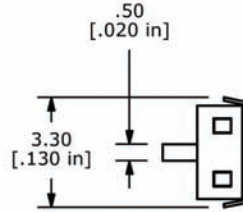
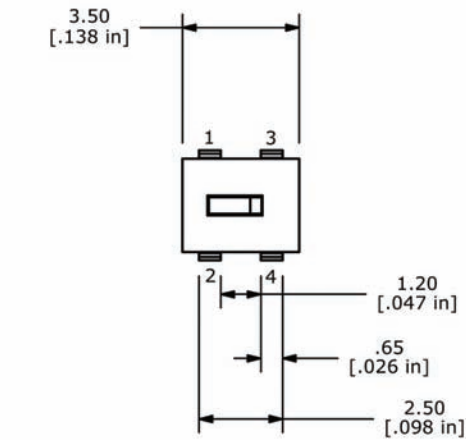
www.e-switch.com

800.867.2717

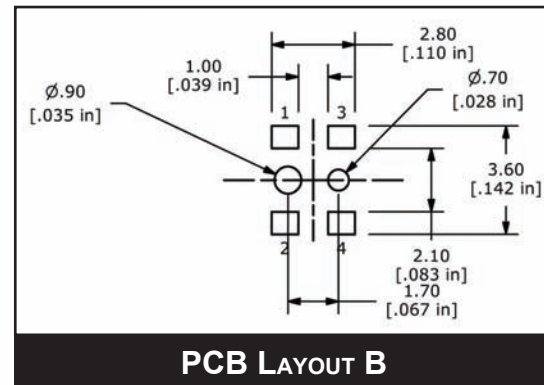
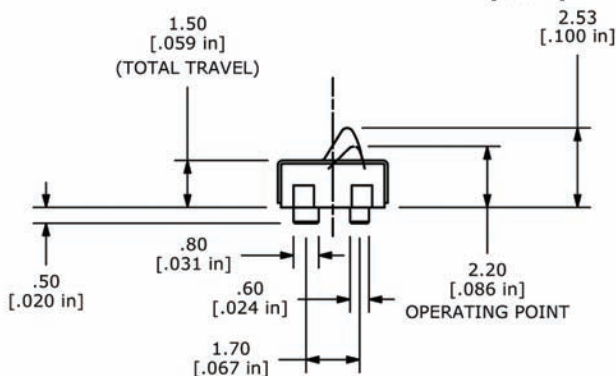
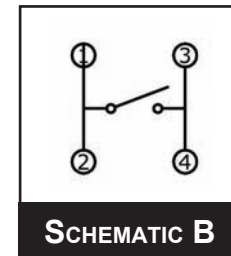
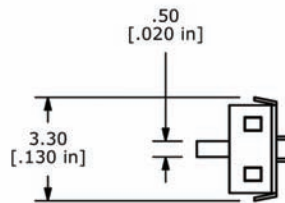
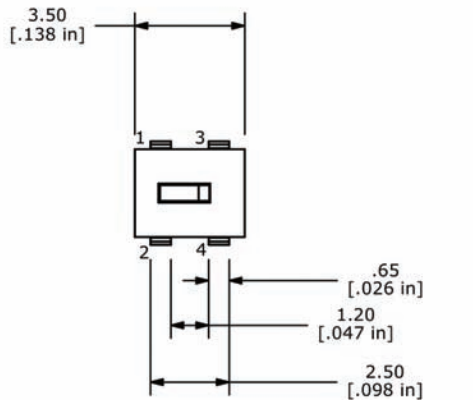
2

TD4700 SERIES DETECTOR SWITCH

A = Without Bosses



B = With Bosses



Mouser Electronics

Authorized Distributor

Click to View Pricing, Inventory, Delivery & Lifecycle Information:

[E-Switch:](#)

[TD4700AQ](#)