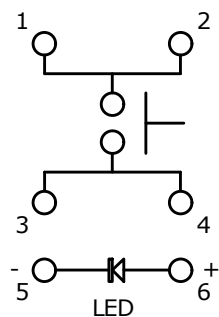


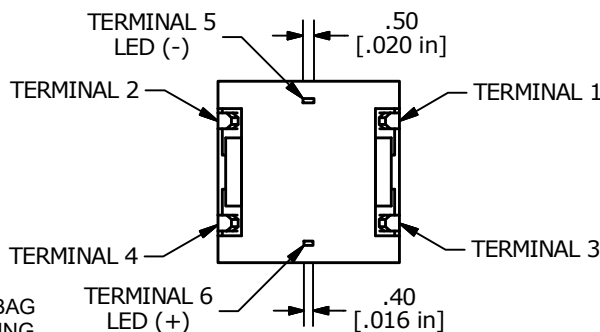
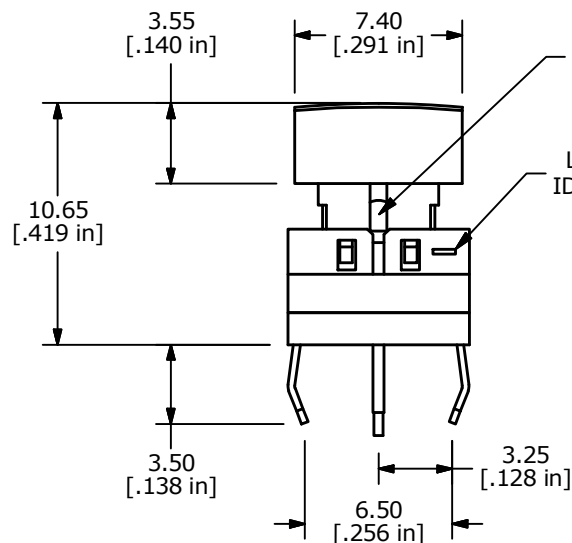
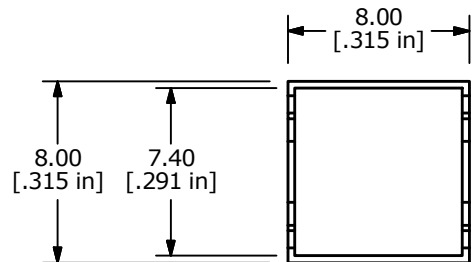
RECOMMENDED PCB LAYOUT



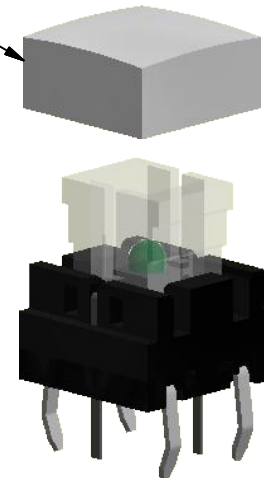
CIRCUIT: SPST

NOTE:

1. ALL DIMENSIONS IN MM [INCH]
2. GENERAL TOLERANCE: X.X = ±0.4
X.XX = ±0.25
3. TERMINAL NUMBERS FOR REF ONLY
4. CONTACT MATERIAL: SILVER
5. RATING: 50mA @ 12 VDC
6. CYCLE LIFE: 100,000 MAKE-AND-BREAK CYCLES
7. INSULATION RESISTANCE: 100 MΩ MIN.
8. DIELECTRIC STRENGTH: 250 V RMS
9. CONTACT RESISTANCE: 100mΩ MAX.
10. OPERATING TEMP.: -25°C to 70°C
11. ▲ DENOTES CRITICAL PARAMETER.
- ▲ 12. LED COLOR: GREEN
13. TRAVEL: 0.25 ± 0.10mm
14. ACTUATION FORCE: 350 ± 100 gf
- ▲ 15. PACKAGE: CAPS WILL BE BAGGED SEPERATELY - 1,000 PER BAG
- ▲ 16. CAPS TO BE ASSEMBLED ONTO THE SWITCH AFTER SOLDERING BY THE END USER.



▲ CAPS TO BE ASSEMBLED ONTO SWITCH AFTER SOLDERING BY END USER

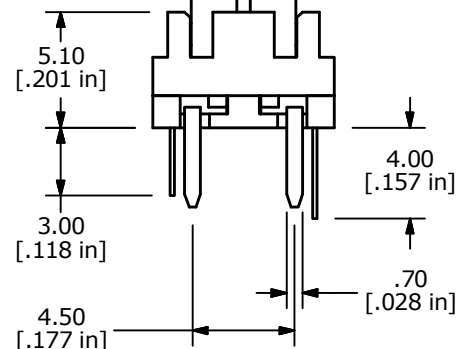


CAP TYPE: 7.4 ROUNDED

CAP COLOR: OPAQUE

LED COLOR: GREEN

LED POLARITY IDENTIFICATION



LED PARAMETER	FORWARD CURRENT	FORWARD VOLTAGE @ 20mA	LUMINOUS INTENSITY
UNITS	mA	V	mcd
GREEN	20	3.5 TYP. - 3.8 MAX.	1300 TYP.



B	24033	UPDATED NOTE 15. PACK...	9/10/19	MJR
A	23751	NEW RELEASE	1/23/19	MJR
REV	PCR NO	DESCRIPTION	DATE	BY

TITLE TL6275BA2PQRG				
SCALE	DATE	DR	DWG	REV
3:1	1/23/2019	MJR	T062772	B

Mouser Electronics

Authorized Distributor

Click to View Pricing, Inventory, Delivery & Lifecycle Information:

[E-Switch:](#)

[TL6275BA2PQRG](#)