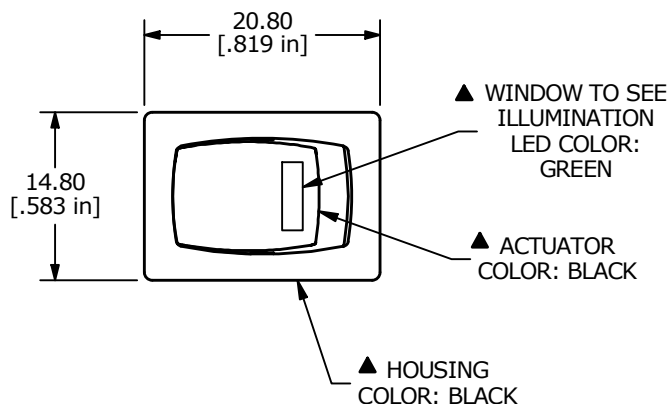
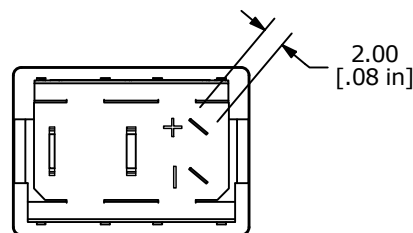
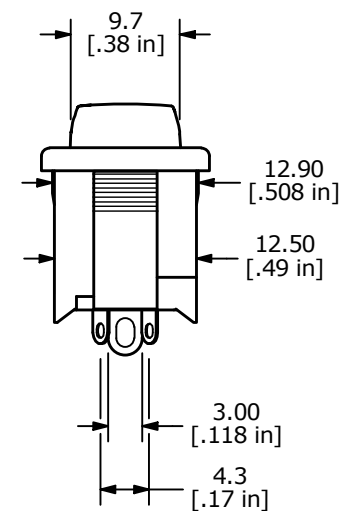
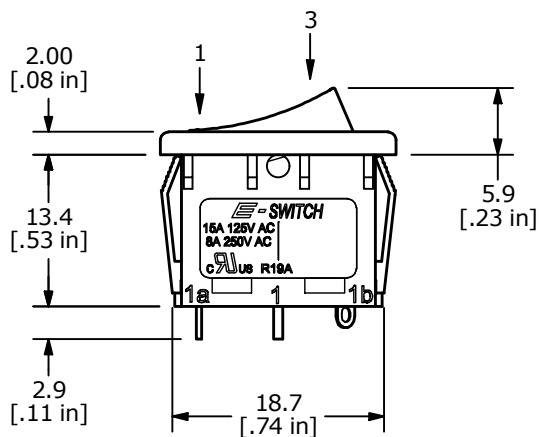
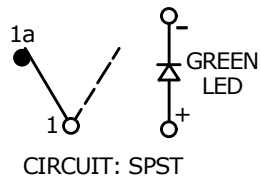


RECOMMENDED PANEL MOUNTING

PANEL THICKNESS	X
0.70-1.25	19.2-19.3
1.25-2.00	19.3-19.4
2.00-3.00	19.5-19.6



▲ SWITCH FUNCTION		
POS. 1	POS. 2	POS. 3
OFF	NONE	ON
OPEN	N/A	1-1a



- NOTES:
- ALL DIMENSIONS IN MM [INCH]
 - GENERAL TOLERANCE: X.X = ±0.4
X.XX = ±0.25
 - TERM. NOS. FOR REF. ONLY
 - RATING: 15A @ 125VAC
8A @ 250VAC
 - LED COLOR: GREEN
 - TERMINAL/CONTACTS: SILVER PLATED
 - ELECTRICAL LIFE: 10,000 CYCLES
 - CONTACT RESISTANCE: <20 MILLI-OHMS INITIAL
 - DIELECTRIC STRENGTH: >1,500V AC 1 MIN
 - ▲ DENOTES CRITICAL PARAMETER.

LED SPECS	UNITS	GREEN
FORWARD CURRENT	mA	20
FORWARD VOLTAGE	V	2.0
LUMINOUS INTENSITY	mcd	30

REV	ECO NO	DESCRIPTION	DATE	BY
D	ECO-101955	update housing	06/08/23	MW



OBJECT ID
000016582

TITLE R1966ABLKBLKESGRN				
SCALE	DATE	DR	DWG	REV
3:2	10/16/1996	MM	M301215	D

Mouser Electronics

Authorized Distributor

Click to View Pricing, Inventory, Delivery & Lifecycle Information:

[E-Switch:](#)

[R1966ABLKBLKESGRN](#)