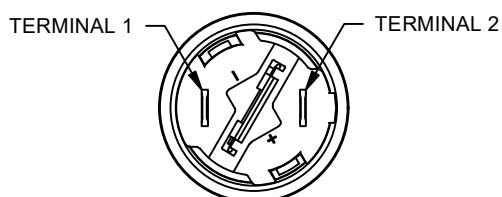
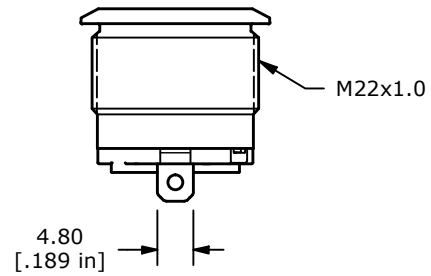
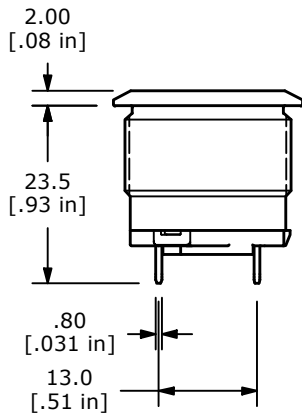
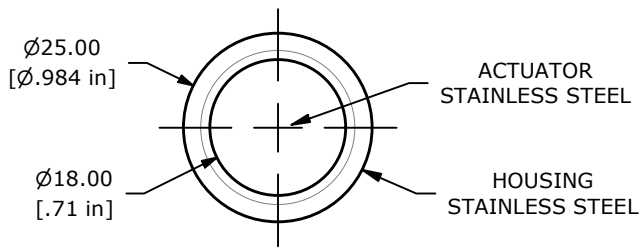
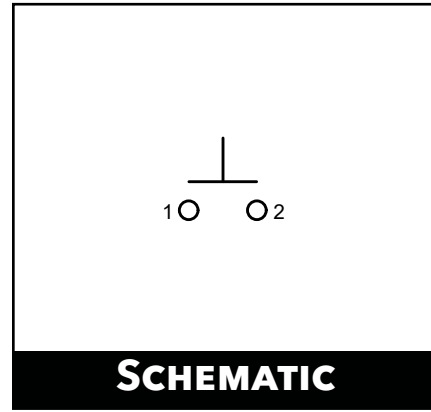
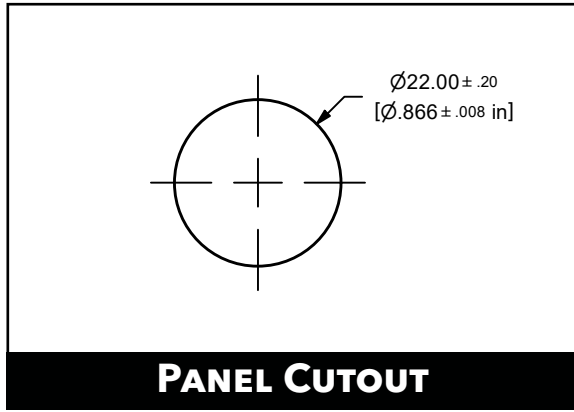
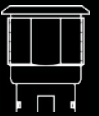


PVHC7 SERIES ANTI-VANDAL SWITCH - BODY DIMENSIONS

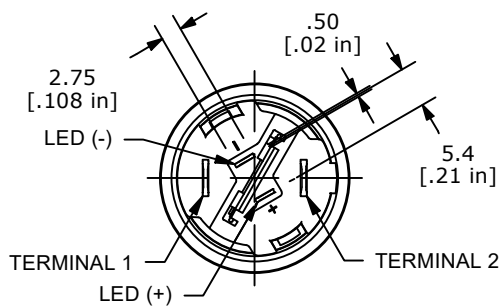
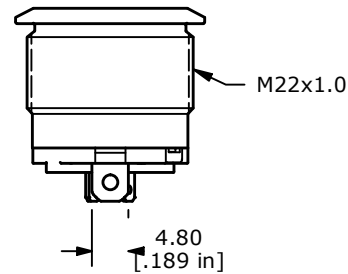
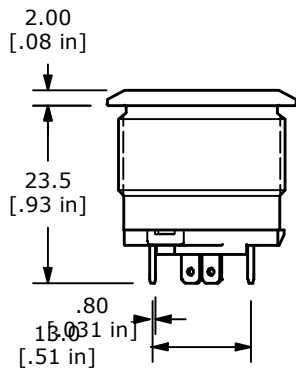
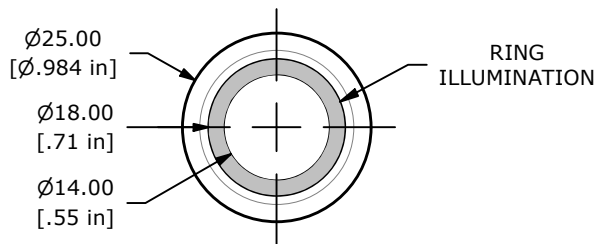
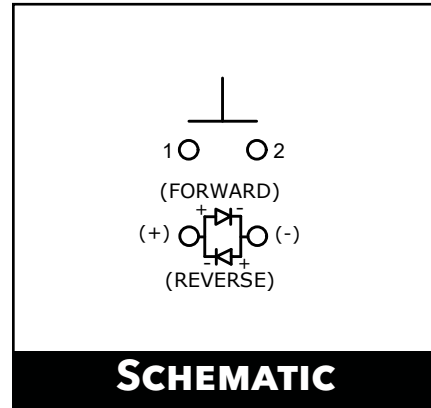
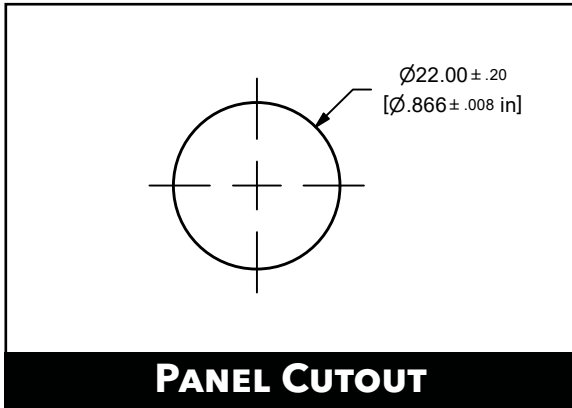
NON-ILLUMINATED





PVHC7 SERIES ANTI-VANDAL SWITCH - BODY DIMENSIONS

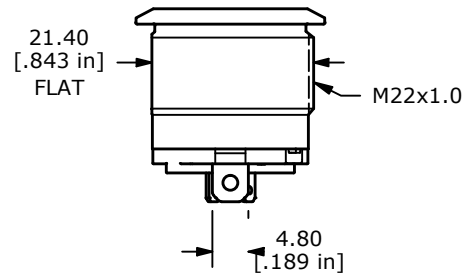
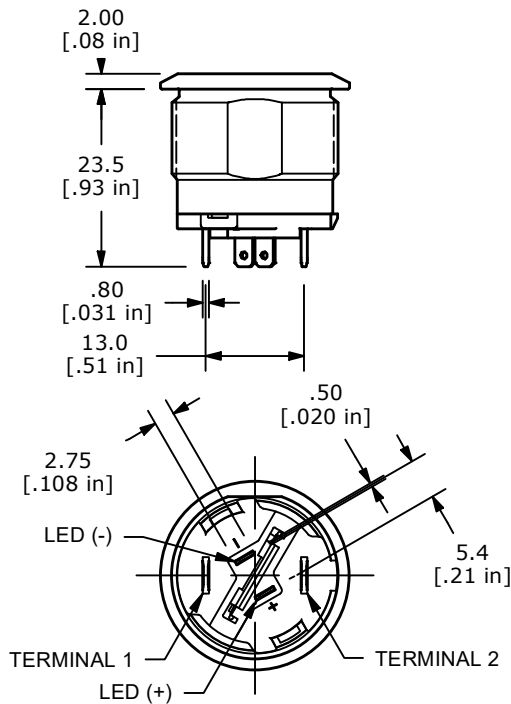
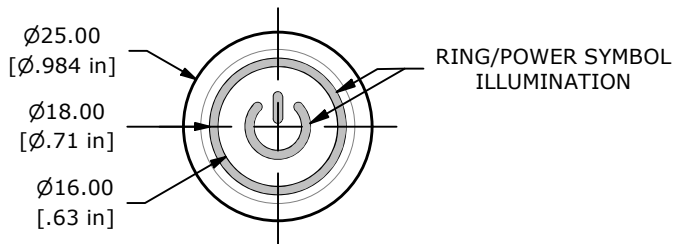
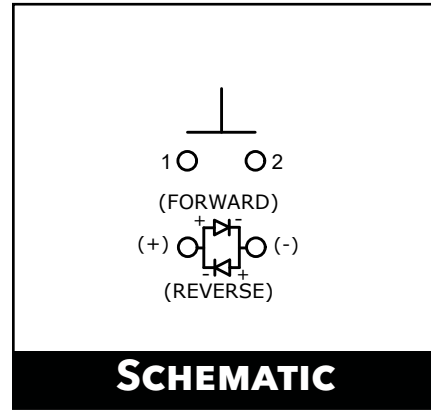
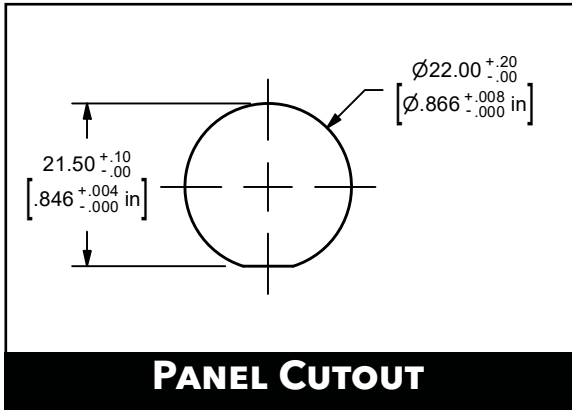
ILLUMINATED RING





PVHC7 SERIES ANTI-VANDAL SWITCH - BODY DIMENSIONS

ILLUMINATED RING/POWER SYMBOL



Mouser Electronics

Authorized Distributor

Click to View Pricing, Inventory, Delivery & Lifecycle Information:

[E-Switch:](#)

[PVHC7F2BSS345](#) [PVHC7F2BSS615](#) [PVHC7F2B11314](#) [PVHC7F23SS314](#) [PVHC7F23SS644](#) [PVHC7F23SS](#)