

PANEL CUTOUT
MAX. PANEL THICKNESS 10mm

SWITCH FUNCTION	
POS. 1	POS. 2
1-2	(3-4)

(ON) = MOMENTARY

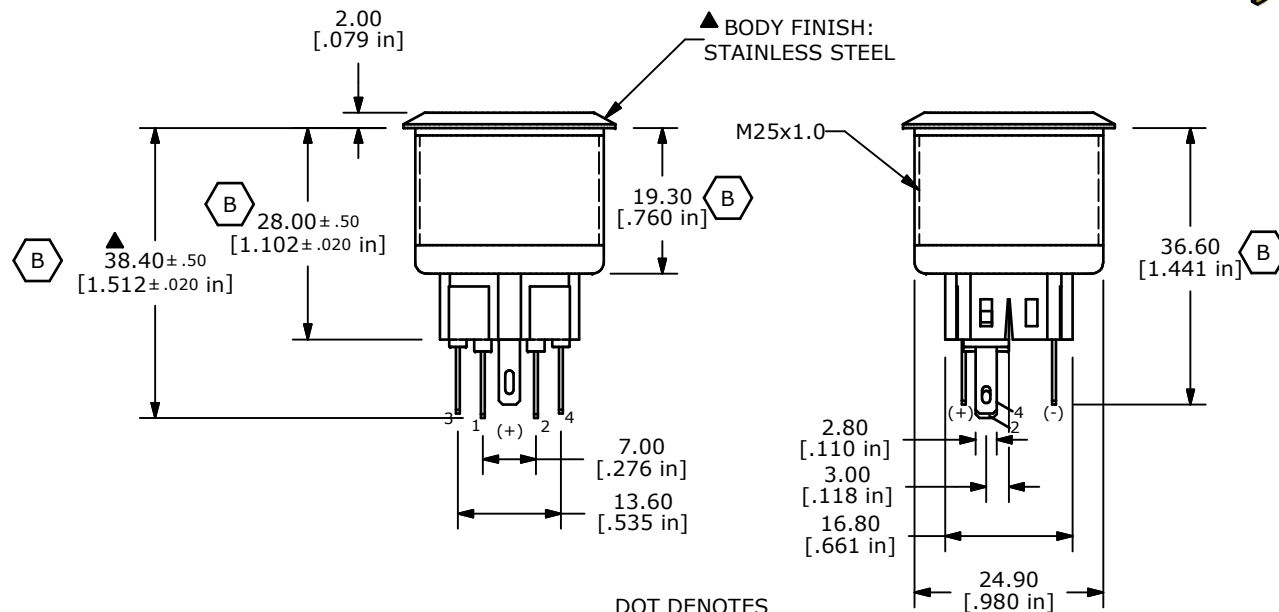
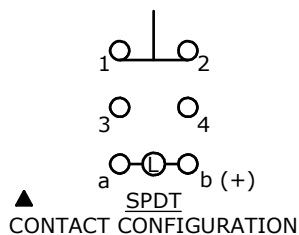
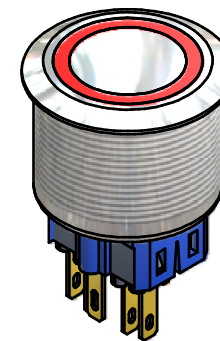
▲ACTUATOR FINISH:
STAINLESS STEEL

Ø28.00
[1.102 in]

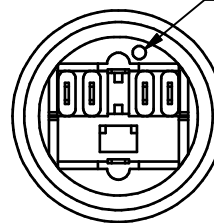
Ø19.80
[.780 in]

▲RING ILLUMINATION
RED

Ø15.50
[.610 in]



DOT DENOTES
LED COLOR



NOTE:

1. ALL DIMENSIONS IN MM [INCH]
2. GENERAL TOLERANCE: X.X = ± 0.4
X.XX = ± 0.25
3. TERMINAL NOS. FOR REF. ONLY
- ▲ 4. FUNCTION: SPDT
- ▲ 5. RATING: 2A @ 48VDC
6. ILLUMINATION VOLTAGE: 24 V
7. CONTACT RESISTANCE: 50mΩ MAX. @ 1A 12VDC
8. INSULATION RESISTANCE: 1,000MΩ @ 500VDC
9. DIELECTRIC STRENGTH: 2,000VAC MIN. FOR 1 MINUTE
10. ELECTRICAL LIFE: 50,000 CYCLES
- ▲ 11. OPERATING TEMPERATURE: -40°C TO 70°C
12. INGRESS PROTECTION: IP65
13. SUPPLIED HARDWARE: O-RING AND HEXNUT
13. ▲DENOTES CRITICAL PARAMETER
13. 2002/95/EC (ROHS) COMPLIANT
- ▲14. ILLUMINATION COLOR: RED (FORWARD), RED (REVERSE)



B	20843	CORRECT BODY LENGTH	10/24/12	EBP
A	20720	RELEASE FOR PRODUCTION	08/23/12	rc
REV	PCR NO	DESCRIPTION	DATE	BY

TITLE PV8F2Y1SS-315				
SCALE	DATE	DR	DWG	REV
1:1	8/23/2012	rc	52-PV8F2Y1SS315	B

THE INFORMATION CONTAINED IN THIS DOCUMENT IS PROPRIETARY
TO E-SWITCH AND IS NOT TO BE COPIED OR TRANSFERRED

Mouser Electronics

Authorized Distributor

Click to View Pricing, Inventory, Delivery & Lifecycle Information:

[E-Switch:](#)

[PV8F2Y1SS-315](#)