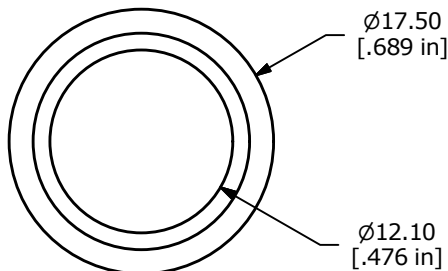
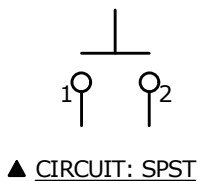


PANEL MOUNTING
MAX. PANEL THICKNESS 4mm



SWITCH FUNCTION	
POS. 1	POS. 2
OFF	(ON)
OPEN	1-2

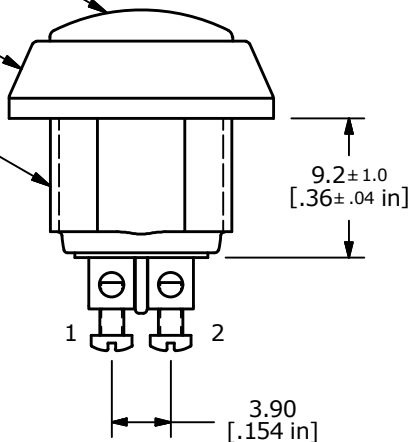
(ON) = MOMENTARY



▲ DOMED ACTUATOR
COLOR: RED

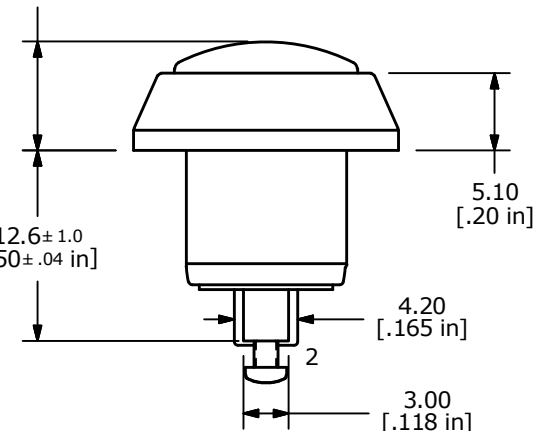
▲ BODY COLOR:
BLACK ANODIZED

M12x1.0
THREAD

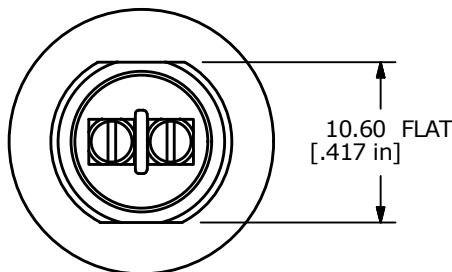


7.2 ± 1.0
[.28 ± .04 in]

12.6 ± 1.0
[.50 ± .04 in]



- NOTE:
- ALL DIMENSIONS IN MM [INCH]
 - GENERAL TOLERANCE: X.X=±0.4
X.XX=±0.25
 - TERMINAL NUMBERS FOR REF ONLY
 - ▲ CONTACT MATERIAL: GOLD
 - RATING: 2A @ 36 VDC
 - ELECTRICAL LIFE: 200,000 CYCLES
 - CONTACT RESISTANCE: 50 mΩ MAX. @ 1A 12VDC (INITIAL)
 - INSULATION RESISTANCE: 1,000 MΩ MIN. @ 500VDC.
 - DIELECTRIC STRENGTH: 2,000 VAC rms.
 - OPERATING TEMPERATURE: -20°C TO +70°C.
 - PANEL THICKNESS MAX: 4.0 mm.
 - INGRESS PROTECTION: IP65
 - ▲ DENOTES CRITICAL PARAMETER.
 - 2011/65/EU (ROHS) COMPLIANT
 - ▲ 15. HARDWARE INCLUDED, 1 O-RING & 1 HEX NUT.(NOT SHOWN)



B	22668	UPDATED FLAT ALIGNMENT	1/9/17	MJR
A	19617	INITIAL RELEASE	1/25/11	CAB
REV	PCR NO	DESCRIPTION	DATE	BY

TITLE PV5S64019G				
SCALE	DATE	DR	DWG	REV
2:1	1/25/2011	CAB	52-PV5S64019G	B

THE INFORMATION CONTAINED IN THIS DOCUMENT IS PROPRIETARY TO E-SWITCH AND IS NOT TO BE COPIED OR TRANSFERRED

Mouser Electronics

Authorized Distributor

Click to View Pricing, Inventory, Delivery & Lifecycle Information:

[E-Switch:](#)

[PV5S64019G](#)