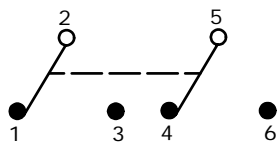


P.C. MOUNTING



CIRCUIT: 2PDT

NOTES:

1. ALL DIMENSIONS IN MM [INCH]
2. GENERAL TOLERANCE: X.X±0.4  
X.XX±0.25
3. TERM. NOS. FOR REFERENCE ONLY.
4. RATING 0.1A @30V DC

▲ 5. MATERIALS:

CONTACT/TERMINALS: SILVER PLATE  
 HOUSING: PBT UL94HB  
 BASE: PA66 UL94HB  
 ACTUATOR: POM  
 CAP: ABS UL94VO

6. CONTACT RESISTANCE: 100 MILLI-OHM (INITIAL)

▲ 7. TIMING: NON-SHORTING

8. OPERATING FORCE: 230±50GF

9. TRAVEL: LATCHING

2MM TO LOCK

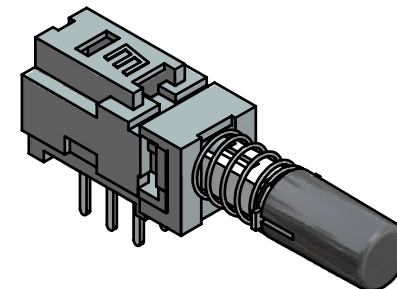
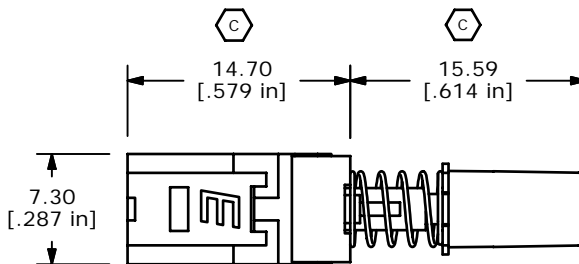
3MM OVERALL

10. ELECTRICAL LIFE: 10000 CYCLES

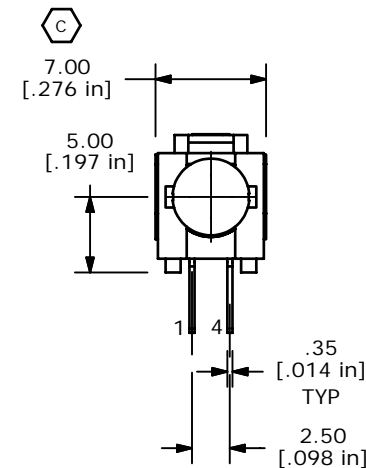
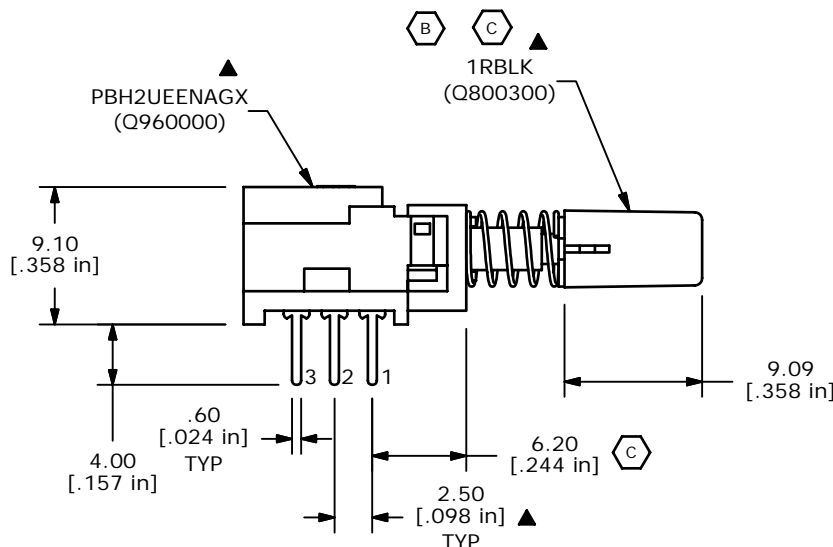
11. OPERATING TEMP: -20°C TO +70°C

12. 2002/95/EC (ROHS) COMPLIANT

13. ▲ DENOTES CRITICAL PARAMETER.



ISOMETRIC



REV	PCR NO	DESCRIPTION	DATE	BY
E	15943	ADD ROHS NOTE	4/4/06	BK
D	15260	REVISED CAP DESCRIPTION	9/8/05	PH
C	14893	CHANGED NOTES AND DIMENSIONS	5/3/05	JB
B	14790	ADD MATERIALS TO NOTES	3/29/05	AR
A	14691	RELEASED FOR PRODUCTION	2/14/05	AR

**E-SWITCH®**

TITLE PBH2UEENAG1RBLK

SCALE	DATE	DR	DWG	REV
2:1	02/03/05	AR	XQ0002P	E

THE INFORMATION CONTAINED IN THIS DOCUMENT IS PROPRIETARY TO E-SWITCH AND IS NOT TO BE COPIED OR TRANSFERRED

# Mouser Electronics

Authorized Distributor

Click to View Pricing, Inventory, Delivery & Lifecycle Information:

[E-Switch:](#)

[PBH2UEENAG1RBLK](#)