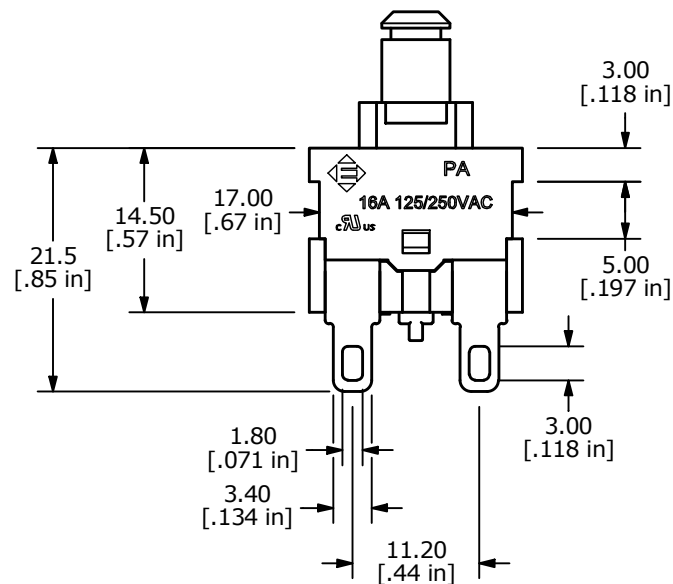
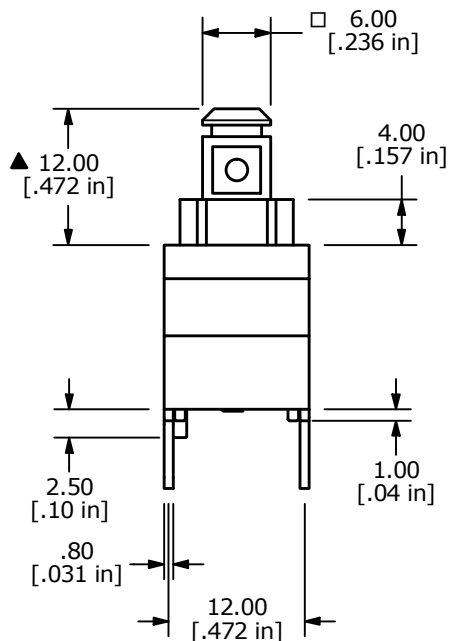
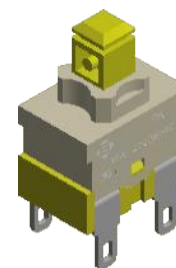
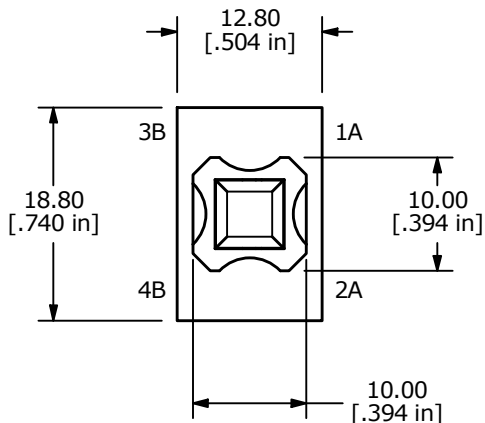


3B ○ ○ 4B

▲ DPST
OFF - ON

SCHEMATIC



NOTES:

1. ALL DIMENSIONS IN MM [INCH]
2. GENERAL TOLERANCE: X.X = ± 0.4
X.XX = ± 0.25
3. ELECTRICAL LIFE: 6,000 [cURus]
4. CONTACT RESISTANCE: 20mΩ MAX. INITIAL
5. INSULATION RESISTANCE: 100MΩ AT 500VDC
6. OPERATING TEMPERATURE: -20°C to +65°C
7. CONTACT RATING: 16A, 125VAC-250VAC [cURus]
8. DIELECTRIC STRENGTH: 1000V FOR 1 MINUTE
9. ACTUATION FORCE: 1000 ± 300gf
10. TRAVEL: TO LOCK POSITION: 3.0mm
FULL TRAVEL: 5.0mm
11. ▲ DENOTES CRITICAL PARAMETER

REV	ECO NO	DESCRIPTION	DATE	BY
B	ECO-100639	update rating	01/10/22	MW



OBJECT ID
000000259

TITLE PA522J		SCALE 3:2	DATE 7/16/2020	DR MW	DWG 14-PA522J	REV B
--------------	--	-----------	----------------	-------	---------------	-------

Mouser Electronics

Authorized Distributor

Click to View Pricing, Inventory, Delivery & Lifecycle Information:

[E-Switch:](#)

[PA522J](#)