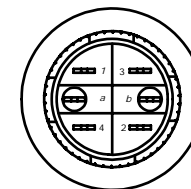
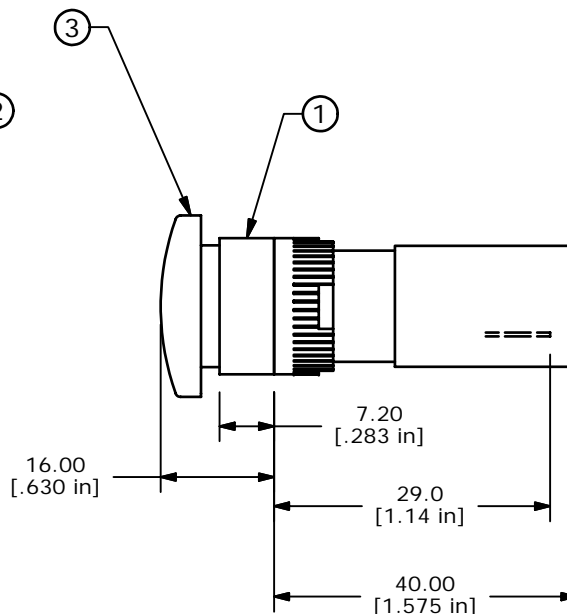
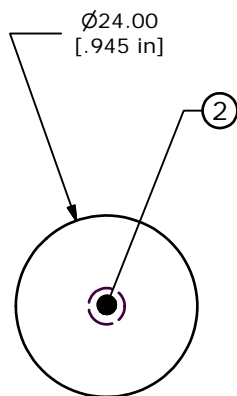
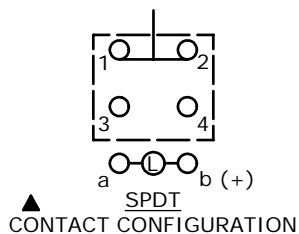


PARTS LIST			
ITEM	QTY	PART NUMBER	DESCRIPTION
1	1	F040014	P160AR11
2	1	F050405	50-004-05 28V AC/DC 40mA INCANDESCENT BULB
3	1	F051212	50-012-41 MUSHROOM CAP RED (TRANSPARENT)

PANEL MOUNTING



jk:ljk

NOTE:

- ALL DIMENSIONS IN MM [INCH].
- GENERAL TOLERANCE: X.X=±0.4
X.XX=±0.25
- TERMINAL NUMBERS FOR REF ONLY.
- RATING: 5A @ 250VAC UL, VDE
8A @ 125VAC UL, VDE
6A @ 24VDC
0.2A @ 250VDC
- ELECTRICAL LIFE: 50,000 MAKE-AND-BREAK CYCLES
AT FULL LOAD min.
- INSULATION RESISTANCE: 1,000 MEGA-OHM min.
- OPERATING TEMP.: -25°C to +55°C
- LAMP: 28 V(AC or DC) 40 mA INCANDESCENT
- PANEL THICKNESS = 0.5mm TO 5.0 mm
- ▲ DENOTES CRITICAL PARAMETER.
- PACKAGE: BOX / 20 PIECES PER BOX
- DEGREE OF PROTECTION: IP40
- TRAVEL: 3.00 mm.
- 2002/95/EC (ROHS) COMPLIANT.



A	18478	RELEASED FOR PRODUCTION	4/15/09	BLR
REV	PCR NO	DESCRIPTION	DATE	BY

TITLE P160AR1CRED				
SCALE	DATE	DR	DWG	REV
2:1	4/15/2009	BLR	XF0793P	A

THE INFORMATION CONTAINED IN THIS DOCUMENT IS PROPRIETARY TO E-SWITCH AND IS NOT TO BE COPIED OR TRANSFERRED

Mouser Electronics

Authorized Distributor

Click to View Pricing, Inventory, Delivery & Lifecycle Information:

[E-Switch:](#)

[P16OAR1CRED](#)