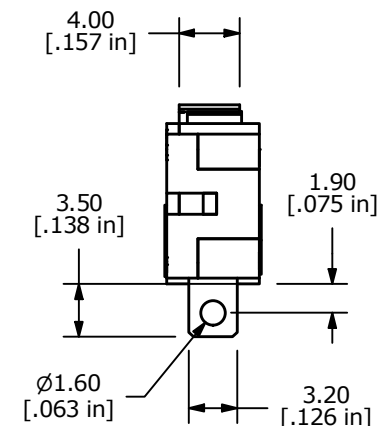
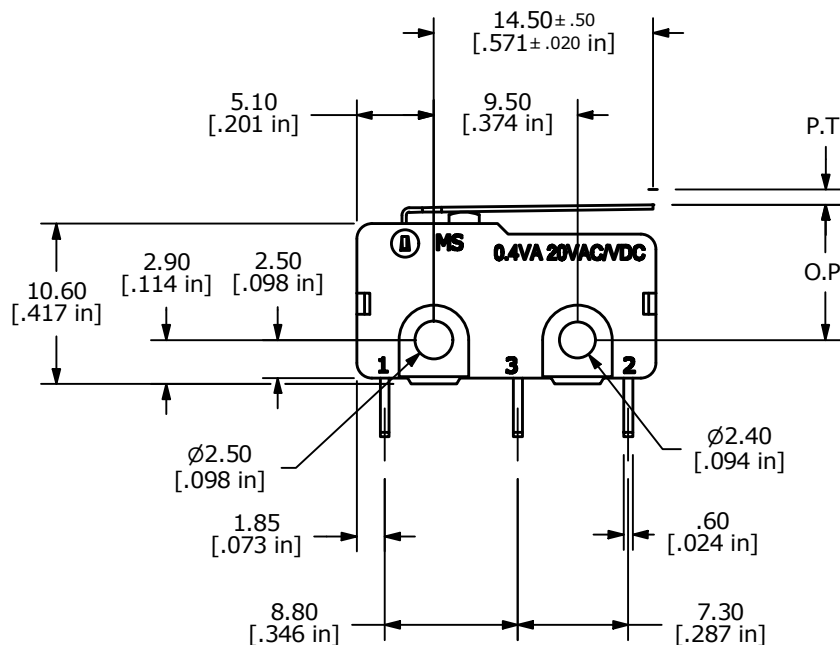
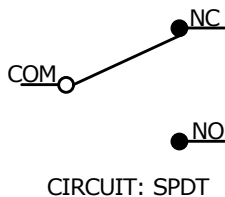


O.P. (MM)	P.T. (MM)
9.1 ± 0.8	3.6 MAX

O.P. = OPERATING POINT
P.T. = PRE-TRAVEL



- NOTES:
1. ALL DIMENSIONS IN MM [INCH]
 2. GENERAL TOLERANCE: X.X=± 0.4
X.XX=± 0.25
 3. RATING: 0.4VA @20VAC OR DC
 - ▲ 4. OPERATING FORCE: 70± 25 GRAMS
 5. OPERATING TEMP: -25°C TO 85°C
 6. ELECTRICAL LIFE: 50,000 CYCLES MIN.
 7. MECHANICAL LIFE: 1,000,000 CYCLES TYP.
 8. INSULATION RESISTANCE: 100 MEGA-OHMS
 9. DIELECTRIC STRENGTH: 1000VAC 1 MINUTE (INITIAL VALUE)
 10. CONTACT RESISTANCE: 100 MILLI-OHMS MAX.
 - ▲ 11. CONTACTS: 10 MICRO INCHES MINIMUM GOLD PLATING (PN: Q990001)
 12. ▲ DENOTES CRITICAL PARAMETER.

REV	ECO NO	DESCRIPTION	DATE	BY
C	ECO-100773	REMOVE VDE RATING AND LOGO	03/11/22	JS



OBJECT ID
000021184

TITLE MS085R101F070S1A				
SCALE	DATE	DR	DWG	REV
2:1	12/5/2005	PH	Q970047	C

THE INFORMATION CONTAINED IN THIS DOCUMENT IS PROPRIETARY TO E-SWITCH AND IS NOT TO BE COPIED OR TRANSFERRED

Mouser Electronics

Authorized Distributor

Click to View Pricing, Inventory, Delivery & Lifecycle Information:

[E-Switch:](#)

[MS085R101F070S1A](#)