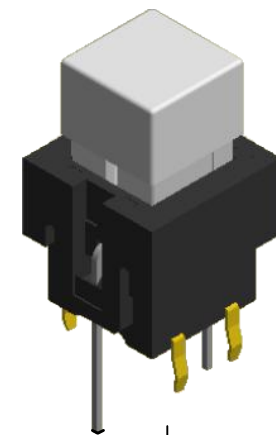
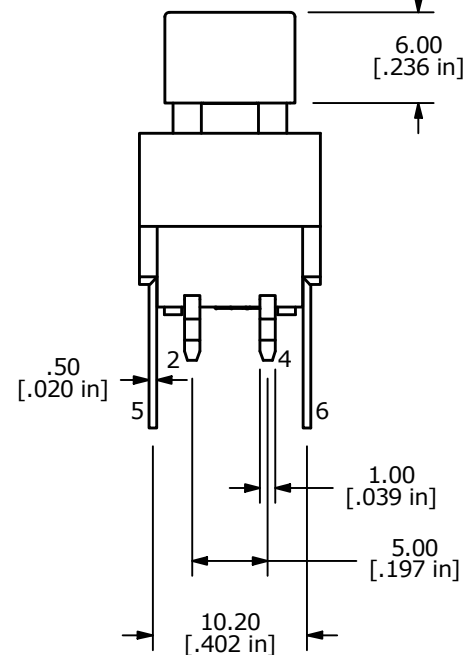
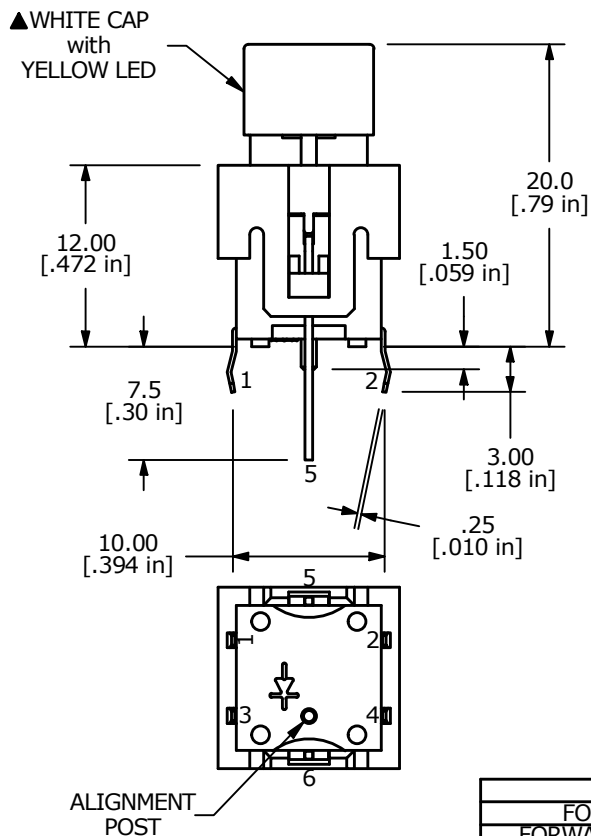
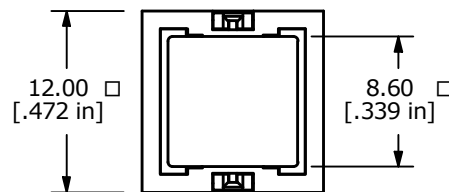


- NOTES:
1. ALL DIMENSIONS IN MM [INCH]
 2. GENERAL TOLERANCE: X.X=±0.4
X.XX=±0.25
 3. RATING: 20VDC @ 1mA
 4. CONTACT RESISTANCE: 200Ω MAX.
 5. INSULATION RESISTANCE: 100MΩ MIN. @ 100VDC.
 - ▲ 6. OPERATING FORCE: 125± 35gf
 7. TRAVEL: 1.3 +/- 0.3 mm
 8. OPERATING TEMPERATURE: -40°C TO 85°C
 - ▲ 9. OPERATING LIFE: 1,000,000 CYCLES
 - ▲ 10. LED: YELLOW
 11. ▲ DENOTES CRITICAL PARAMETERS
 12. CONTACT MATR'L: GOLD FLASH OVER NICKEL



LED SPECS		UNITS	YELLOW	
FORWARD CURRENT		mA	20	
FORWARD VOLTAGE @20mA		VDC	1.5 MIN	2.3 MAX
LUMINOUS INTENSITY @ 20mA		mcd	40 MIN	200 MAX

REV	ECO NO	DESCRIPTION	DATE	BY
C	ECO-101243	UPDATE TO CURRENT LED SPECS	09/22/22	JS

				OBJECT ID 000006816
TITLE LP15S1WHTYELN				

<small>THE INFORMATION CONTAINED IN THIS DOCUMENT IS PROPRIETARY TO E-SWITCH AND IS NOT TO BE COPIED OR TRANSFERRED</small>				
SCALE	DATE	DR	DWG	REV
2:1	6/16/2014	EBP	B270008	C

Mouser Electronics

Authorized Distributor

Click to View Pricing, Inventory, Delivery & Lifecycle Information:

[E-Switch:](#)

[LP15S1WHTYELN](#)