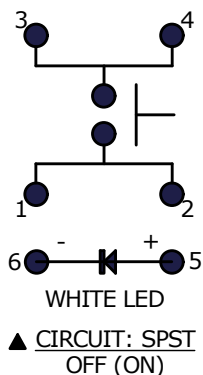
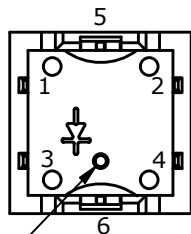
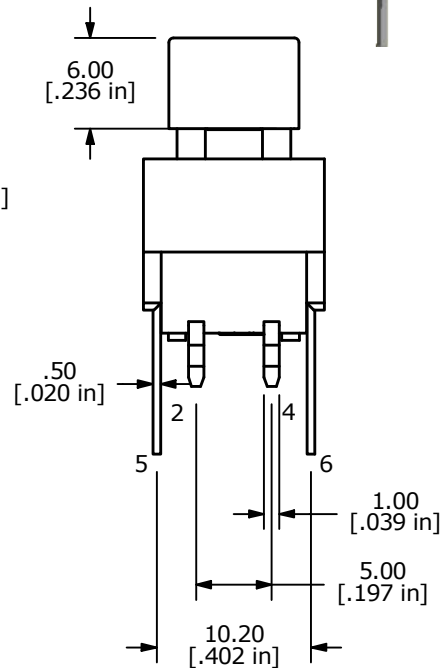
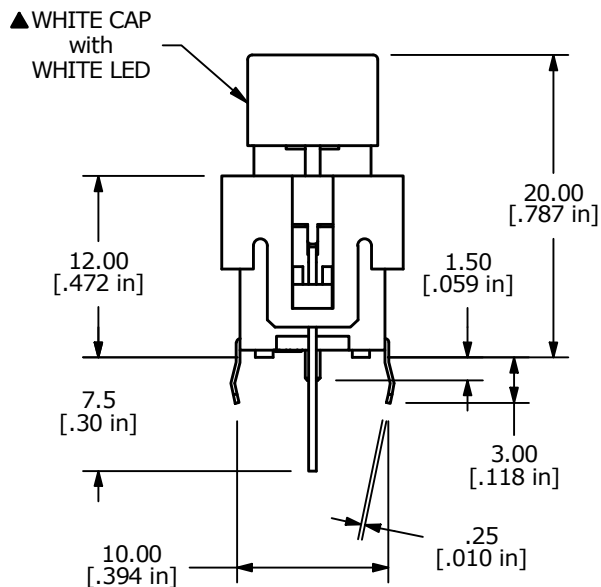
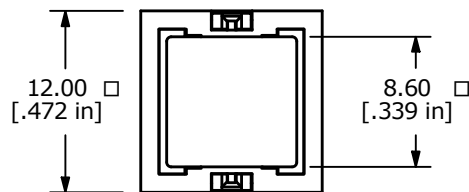


PCB LAYOUT

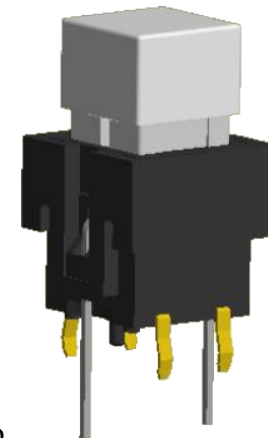


NOTES:

1. ALL DIMENSIONS IN MM [INCH]
2. GENERAL TOLERANCE: X.X=±0.4
X.XX=±0.25
3. RATING: 20VDC @ 1mA
4. CONTACT RESISTANCE: 200Ω MAX.
5. INSULATION RESISTANCE: 100MΩ MIN. @ 100VDC.
- ▲ 6. OPERATING FORCE: 125± 35gf
7. TRAVEL: 1.3 +/- 0.3 mm
8. OPERATING TEMPERATURE: -40°C TO 85°C
9. OPERATING LIFE: 1,000,000 CYCLES
- ▲ 10. LED: WHITE
11. ▲ DENOTES CRITICAL PARAMETERS
12. CONTACT MATERIAL: GOLD FLASH OVER NICKEL



ALIGNMENT POST



LED SPECS		UNITS	WHITE
FORWARD CURRENT		mA	20
FORWARD VOLTAGE @20mA		VDC	3.3 TYP 4.0 MAX.
LUMINOUS INTENSITY @ 20mA		mcd	400 TYP.

REV	ECO NO	DESCRIPTION	DATE	BY
C	ECO-101243	UPDATE TO CURRENT LED SPECS	09/22/22	JS

			OBJECT ID 000006817
TITLE LP15S1WHTWHTN			
SCALE 2:1	DATE 6/19/2014	DR EBP	DWG B270009
			REV C

Mouser Electronics

Authorized Distributor

Click to View Pricing, Inventory, Delivery & Lifecycle Information:

[E-Switch:](#)

[LP15S1WHTWHTN](#)