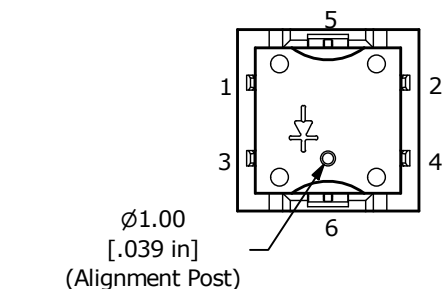
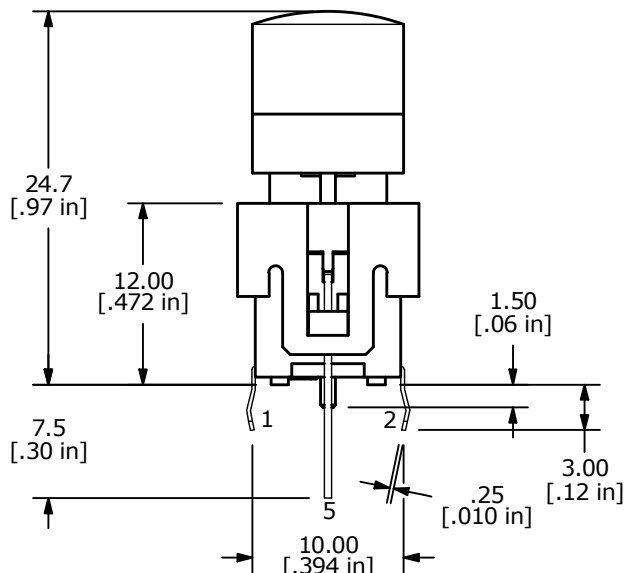
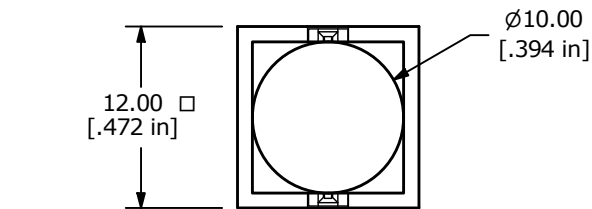


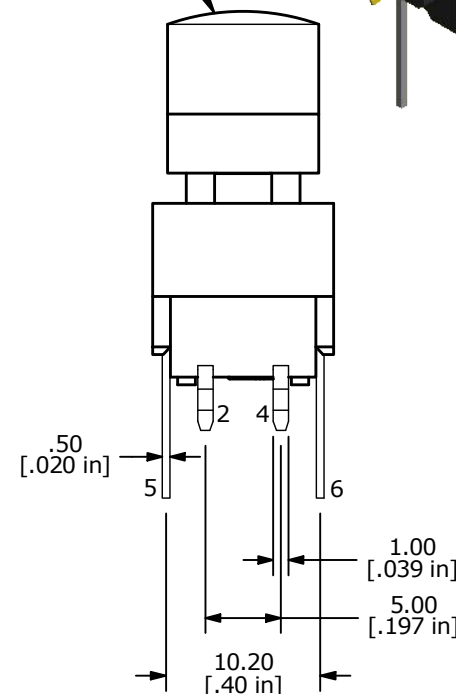
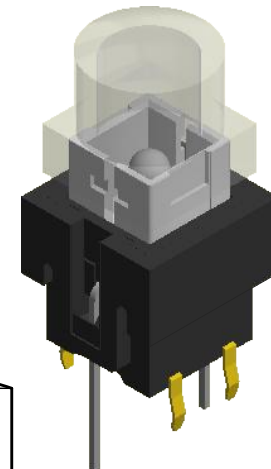
▲ **CIRCUIT: SPST**
OFF - (ON)

NOTES:

1. ALL DIMENSIONS IN MM [INCH]
2. GENERAL TOLERANCE: X.X = ±0.4
X.XX = ±0.25
3. RATING: 20VDC @ 1mA, 5VDC @ 5mA
4. CONTACT RESISTANCE: 200Ω MAX.
5. INSULATION RESISTANCE: 100MΩ MIN. @ 100VDC.
- ▲ 6. OPERATING FORCE: 125 ± 35gf
7. TRAVEL: 1.25 ± 0.3 mm
8. OPERATING TEMPERATURE: -40°C to 85°C
9. OPERATING LIFE: 1,000,000 CYCLES
- ▲ 10. LED: RED
- ▲ 11. ▲ DENOTES CRITICAL PARAMETERS
12. CONTACT MATR'L: GOLD FLASH OVER NICKEL



▲ **TRANSPARENT CAP**
with
RED LED



LED SPECS		UNITS	RED
FORWARD CURRENT		mA	20
FORWARD VOLTAGE @ 20mA		VDC	1.95 TYP 2.5 MAX.
LUMINOUS INTENSITY @ 20mA		mcd	180 TYP.

REV	ECO NO	DESCRIPTION	DATE	BY
B	ECO-101243	UPDATE TO CURRENT LED SPECS	09/22/22	JS

			OBJECT ID 000006820	
TITLE LP15R1TRARED-N				

THE INFORMATION CONTAINED IN THIS DOCUMENT IS PROPRIETARY TO E-SWITCH AND IS NOT TO BE COPIED OR TRANSFERRED				
SCALE	DATE	DR	DWG	REV
2:1	12/9/2020	MW	B270012	B

Mouser Electronics

Authorized Distributor

Click to View Pricing, Inventory, Delivery & Lifecycle Information:

[E-Switch:](#)

[LP15R1TRARED-N](#)