

SCHEMATIC



SPECIFICATIONS

FUNCTION:
1P1T OFF-ON

RATINGS:
10A 125VAC [UL, cUL]
6A 250VAC [UL, cUL]

6A 250V~ 1E4 T85 [VDE]

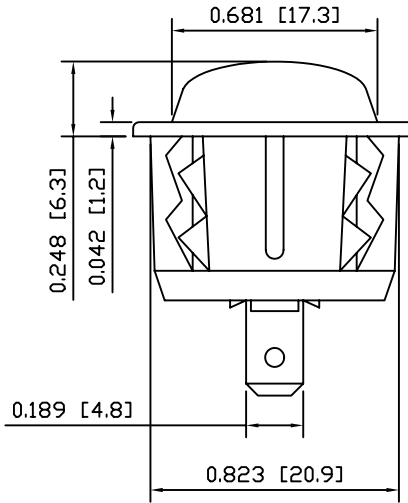
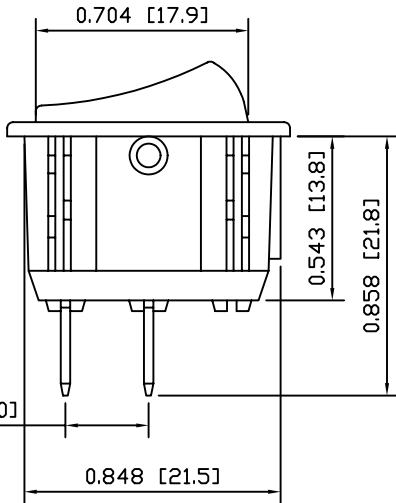
CONTACT RESISTANCE:
Max. 35mΩ

INSULATION RESISTANCE:
100MΩ at 500VAC

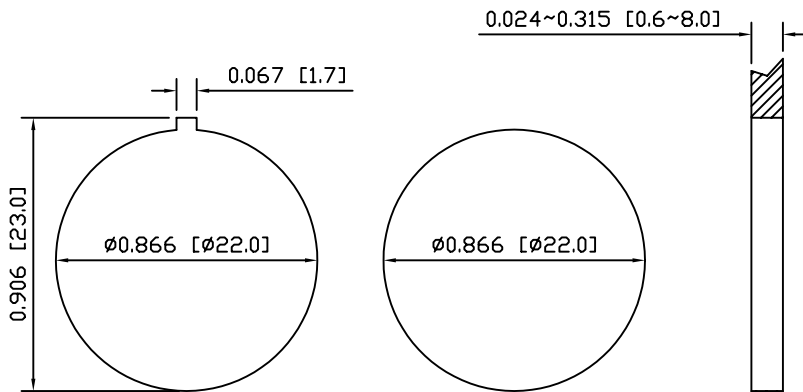
WITHSTAND VOLTAGE:
1500VAC For 1 Minute

ELECTRICAL LIFE:
10,000 Cycles

APPROVALS:



SUGGESTED PANEL CUTOUT



SUGGESTED

ALTERNATE

MATERIALS

BODY:
Polyamide 6/6

ROCKER:
Polyamide 6/6

CONTACTS:
Silver Plated Copper

ELECTRICAL TERMINALS:
Silver Plated Copper

COLORS AND MARKINGS

BODY:
Black

ROCKER:
Black

MARKINGS:
None

MARKING COLOR:
None

	P.O. Box 25110 Portland, OR 97298	LAST REVISION: JULY 15, 2004
	DRAWING NUMBER: 38-RRGA1131100.dwg	
<h1>RRGA1131100</h1>		

UNLESS OTHERWISE SPECIFIED,
DIMENSIONS ARE IN INCHES [MILLIMETERS]
TOLERANCES ARE:

DEC .X±0.2	ANG ± 1°
.XXX±0.008	DRAWING NOT TO SCALE

Mouser Electronics

Authorized Distributor

Click to View Pricing, Inventory, Delivery & Lifecycle Information:

[E-Switch:](#)

[RRGA1131100](#)