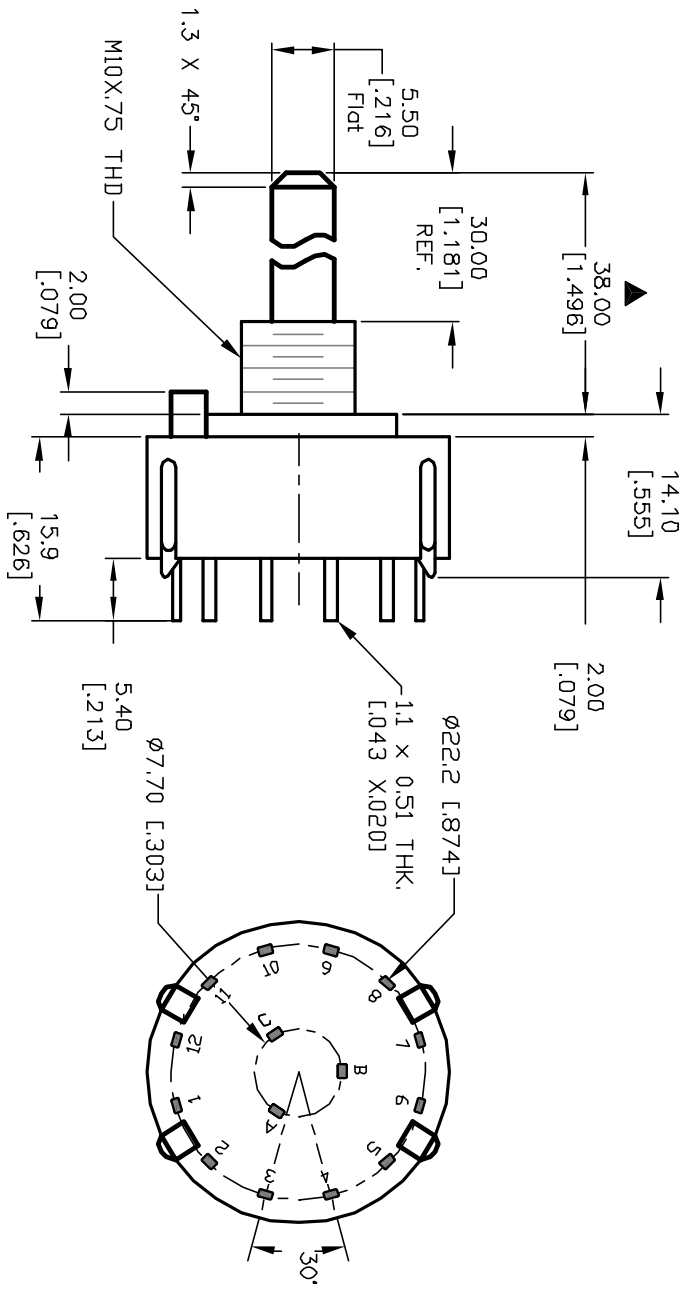
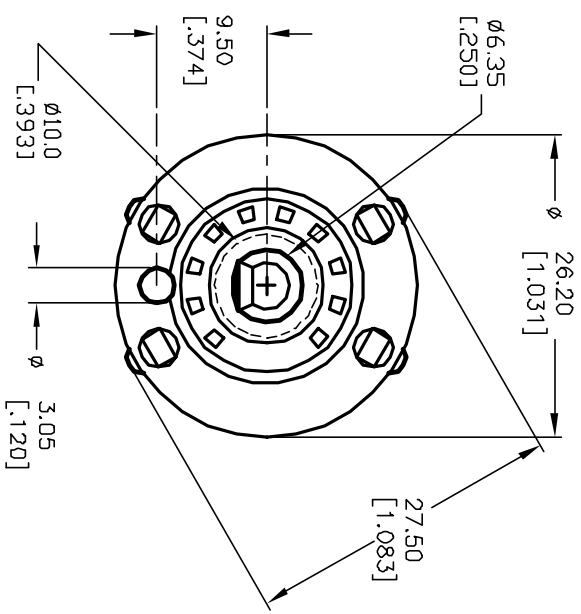
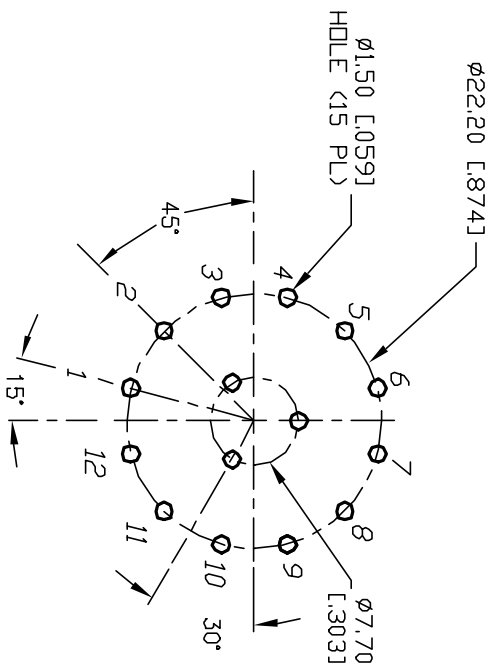
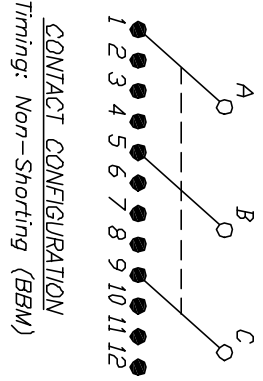


- NOTES:
1. ALL DIMENSION IN MM [INCH]
 2. GENERAL TOLERANCE: X.X=±0.4
X.XX=±0.25
 3. TERM. NOS. FOR REF. ONLY
 4. CONTACT RATING SWITCHING: 150mA, 250V AC/DC
350mA, 110V AC/DC
 5. CONTACT RATING (NON-SWITCHING) 5A
 6. CONTACT MATERIAL: SILVER OVER COPPER ALLOY
 7. OPERATING FORCE: 425±100 CM/STANDARD
 8. OPERATING TEMP: -30° to 85°C
 9. CIRCUIT 3P: 4 POSITIONS, 30° INDEX.
 10. DIELECTRIC STRENGTH 1000V RMS min. @ SEA LEVEL
 11. DESIGNATE MAJOR DIMENSIONS
 12. SUPPLIED LOCK NUT AND WASHER (NOT SHOWN).



E-SWITCH®

B		TITLE		SCALE		DATE		DR		DWG		REV	
A	12394	RELEASED FOR PRODUCTION	9/16/02	CJB	1.5:1	9/16/02	CJB	DWG	G510462	A			
REV.	ECN No.	DESCRIPTION	DATE	CHKD									
<p>THE INFORMATION CONTAINED IN THIS DOCUMENT IS PROPRIETARY TO E-SWITCH AND IS NOT TO BE COPIED OR TRANSFERRED</p>													

KC-34-A (30.0mm)-02-N-P-S

Mouser Electronics

Authorized Distributor

Click to View Pricing, Inventory, Delivery & Lifecycle Information:

[E-Switch:](#)

[KC34B30.002NPS](#)