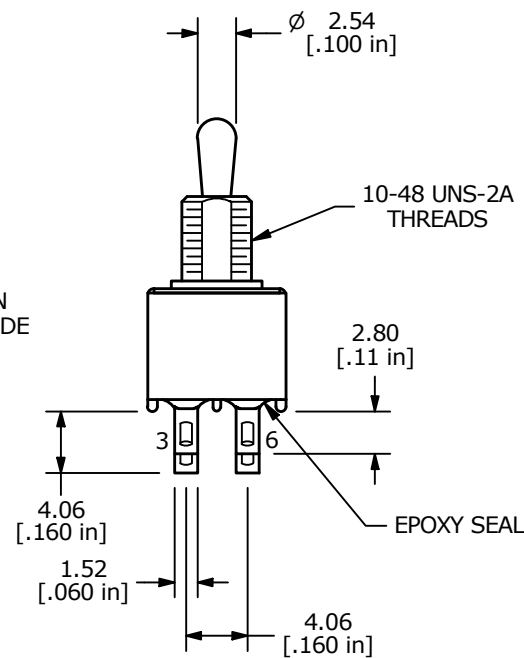
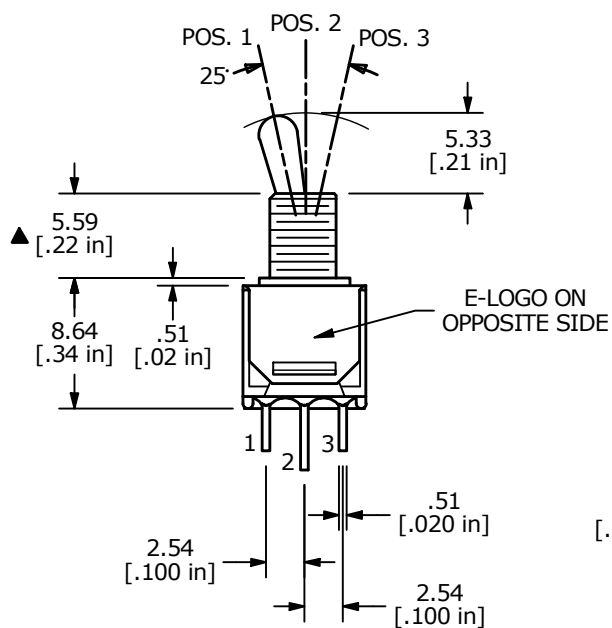
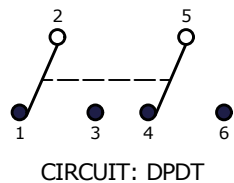


▲ SWITCH FUNCTION		
POS. 1	POS. 2	POS. 3
ON	N/A	ON
2-3, 5-6	N/A	2-1, 5-4



NOTE:

1. ALL DIMENSIONS IN MM [INCH]
2. GENERAL TOLERANCE: X.X = ± 0.4
X.XX = ± 0.25
3. TERMINAL NUMBERS FOR REF ONLY
- ▲ 4. PLATING MATERIAL: SILVER
5. RATING: 3 AMPS @ 120VAC or 28VDC UL, CUL
1 AMPS @ 250VAC UL, CUL
6. ELECTRIC LIFE: 30,000 MAKE-AND-BREAK CYCLES AT FULL LOAD.
7. INSULATION RESISTANCE: 1,000 MEGA-OHM MIN.
8. DIELECTRIC STRENGTH: 1,000 V RMS @SEA LEVEL
9. OPERATING TEMP.: -30°C to 85°C
10. ▲ DENOTES CRITICAL PARAMETER.
- ▲ 11. HARDWARE TO BE SHIPPED BULK
T200001 - HEXNUT - QTY 2
T200000 - LOCKWASHER - QTY 1
T200002 - LOCKRING - QTY 1



A	24356	Release	6/23/20	MW
REV	PCR NO	DESCRIPTION	DATE	BY

TITLE	200MDP1T2B1M1QEH			
SCALE	DATE	DR	DWG	REV
2:1	6/22/2020	MW	ST221026	A

THE INFORMATION CONTAINED IN THIS DOCUMENT IS PROPRIETARY TO E-SWITCH AND IS NOT TO BE COPIED OR TRANSFERRED

Mouser Electronics

Authorized Distributor

Click to View Pricing, Inventory, Delivery & Lifecycle Information:

[E-Switch:](#)

[200MDP1T2B1M1QEH](#)