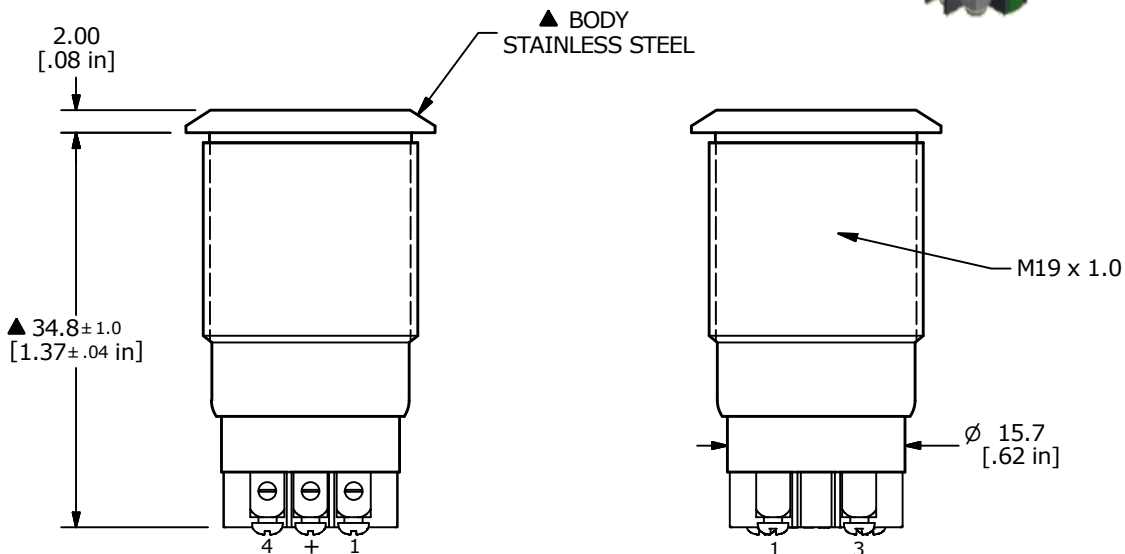
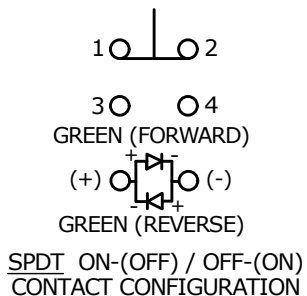


▲ SWITCH FUNCTION

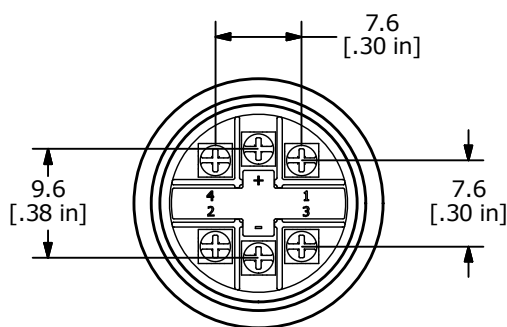
POS. 1	POS. 2
1-2 ON 3-4 OFF	1-2 (OFF) 3-4 (ON)

() = MOMENTARY



NOTE:

1. ALL DIMENSIONS IN MM [INCH]
2. GENERAL TOLERANCE: X.X = ±0.4
X.XX = ±0.25
3. TERMINAL NUMBERS FOR REF ONLY
- ▲ 4. CONTACTS: GOLD PLATED
5. RATING: 2A 24VDC
6. ELECTRIC LIFE: 50,000 MAKE-AND-BREAK CYCLES AT FULL LOAD.
7. INSULATION RESISTANCE: 1,000 MΩ MIN.
8. DIELECTRIC STRENGTH: 2,000 VAC MIN. FOR 1 MINUTE
9. CONTACT RESISTANCE: 50mΩ MAX. @ 1A 12VDC
10. OPERATING TEMP.: -20°C to 55°C
11. TRAVEL: 2.8mm
12. ▲ DENOTES CRITICAL PARAMETER
- ▲ 13. LAMP VOLTAGE: 24V
14. INGRESS PROTECTION: IP65
- ▲ 15. HARDWARE SUPPLIED: O-RING AND HEXNUT



C	24212	redrawn and Contacts to Gold Plated	3/5/20	MW
B	23599	update ratings to 2A @ 24VDC	10/9/18	MJR
A	00173	INITIAL RELEASE	10/21/09	CAB
REV	PCR NO	DESCRIPTION	DATE	BY



TITLE PV4F6Y0SS-335				
SCALE 3:2	DATE 3/4/2020	DR MW	DWG 52-PV4F6Y0SS335	REV C

THE INFORMATION CONTAINED IN THIS DOCUMENT IS PROPRIETARY TO E-SWITCH AND IS NOT TO BE COPIED OR TRANSFERRED

Mouser Electronics

Authorized Distributor

Click to View Pricing, Inventory, Delivery & Lifecycle Information:

[E-Switch:](#)

[PV4F6Y0SS-335](#)