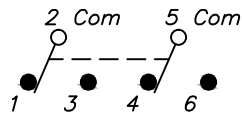
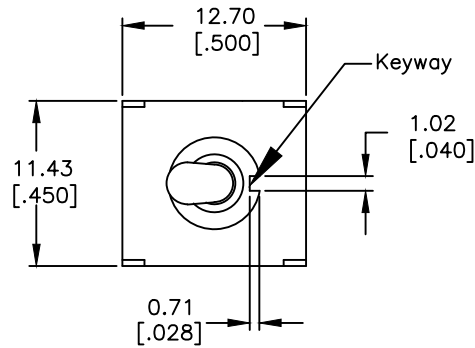


RECOMMENDED P.C.B. LAYOUT
SCALE: 2:1



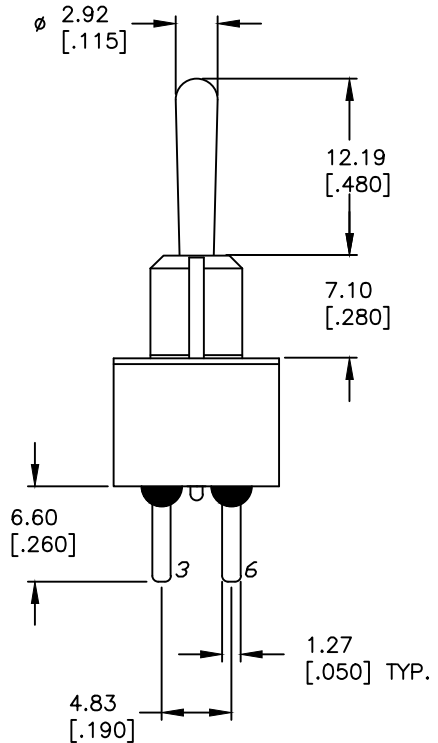
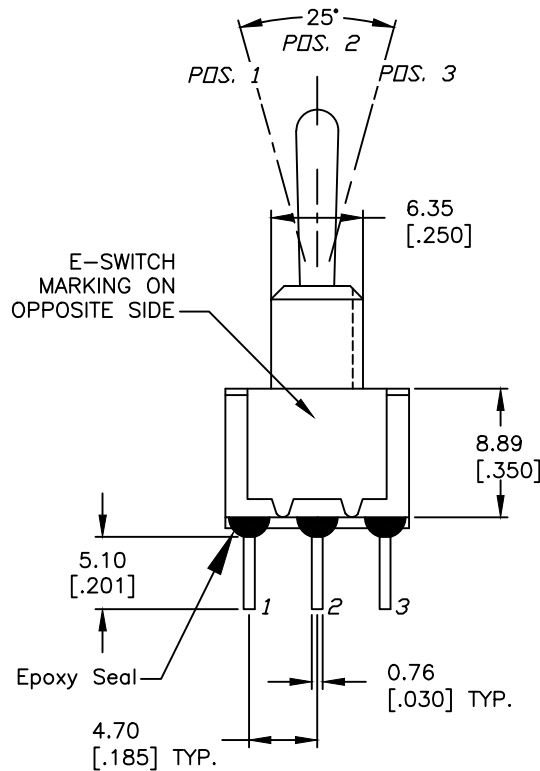
CIRCUIT: DPDT

SWITCH FUNCTION		
PDS. 1	PDS. 2	PDS. 3
<DN>	OFF	<DN>
2-3,5-6	OPEN	2-1,5-4

() = Momentary

NOTES:

- ALL DIMENSIONS IN MM [INCH]
- GENERAL TOLERANCE: X.X=±0.4
X.XX=±0.25
- TERM. NOS. FOR REF. ONLY
- RATING: 5A @120VAC OR 28VDC
2A @250VAC
- MATERIALS: FIXED TERM. & MOVING CONTACT:
Copper Alloy W/Silver plate.
- ELECTRICAL LIFE: 50,000 make-and-break cycles at full load.
- INSULATION RESISTANCE: 1,000M ohm min.
- DIELECTRIC STRENGTH: 1000V RMS @sea level
- OPERATING TEMP.: -30°C to 85°C



B	23255	drawing update	3/8/18	MW
A	12399	RELEASED FOR PRODUCTION	9/3/02	CJB
REV.	ECN No.	DESCRIPTION	DATE	CHKD

TITLE		100DP4T1B4M2QE		
SCALE	DATE	DR	DWG	REV
2:1	7/20/01	CJB	T124015	B

THE INFORMATION CONTAINED IN THIS DOCUMENT IS PROPRIETARY TO E-SWITCH AND IS NOT TO BE COPIED OR TRANSFERRED

Mouser Electronics

Authorized Distributor

Click to View Pricing, Inventory, Delivery & Lifecycle Information:

[E-Switch:](#)

[100DP4T1B4M2QE](#)