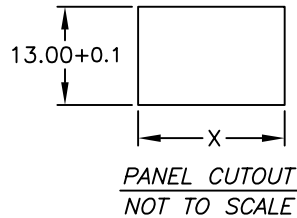
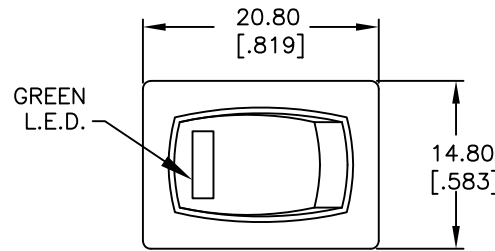
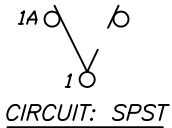


PANEL THICKNESS	X dimension
0.75-1.25 [.030-.049]	19.2-0.1 [.756]
1.25-2.0 [.049-.079]	19.4-0.1 [.764]
2.0-3.0 [.079-.118]	19.8-0.1 [.780]



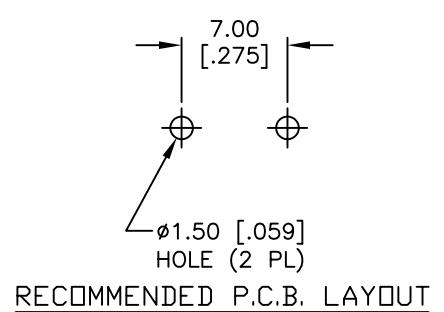
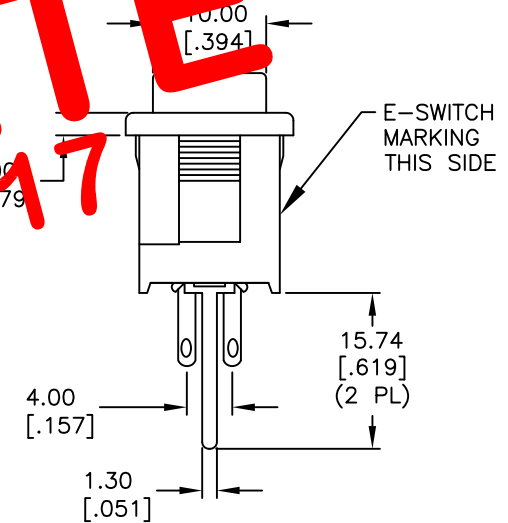
SWITCH FUNCTION	
PDS. 1	PDS. 2
ON	OFF
1-1a	OPEN



YELLOW L.E.D

PARAMETERS	SYMBOL	MAX.	TYP.	UNITS
POWER DISSIPATION	$P_D$	80		mW
AVERAGE FORWARD CURRENT	$I_{AF}$	--		mA
PEAK FORWARD CURRENT	$I_{PF}$	100		mA
REVERSE VOLTAGE	$V_R$	5		V
FORWARD VOLTAGE	$V_F$	2.6	2	V
REVERSE CURRENT	$I_R$		100	$\mu A$
EMISSION WAVELENGTH	$\lambda_P$		585	nm
LUMINOUS INTENSITY	$I_v$		30	mcd

OBSOLETE  
November 2017  
PCR 23105



NOTES:

- ALL DIMENSIONS IN MM [INCH]
- GENERAL TOLERANCE:  $X.X \pm 0.4$   
 $X.XX \pm 0.25$
- TERMINAL NUMBERS FOR REF ONLY
- RATING: 15A @ 125VAC OR 6A @ 250VAC
- MATERIALS: (TERMINALS) SILVER PLATED COPPER  
(CONTACTS) COIN SILVER, SILVER PLATED.
- CONTACT RESISTANCE: <20 Mega
- ELECTRICAL LIFE: 10,000 cycles
- INSULATION RESISTANCE: >1000 Mega
- DIELECTRIC STRENGTH: >1500V 1 minute  
>3000V between Poles
- OPERATING TEMP. RANGE: -25°C to +85°C

**E-SWITCH®**

TITLE

R1966ABLKBLKEYEL

REV.	ECN No.	DESCRIPTION	DATE	CHKD
A	13209	RELEASED FOR PRODUCTION	6/13/03	AR

SCALE

1.5:1

DATE

6/13/03

DR

AR

DWG

M300103

REV

A

THE INFORMATION CONTAINED IN THIS DOCUMENT IS PROPRIETARY TO E-SWITCH AND IS NOT TO BE COPIED OR TRANSFERRED

# Mouser Electronics

Authorized Distributor

Click to View Pricing, Inventory, Delivery & Lifecycle Information:

[E-Switch:](#)

[R1966ABLKBLKEPYEL](#)