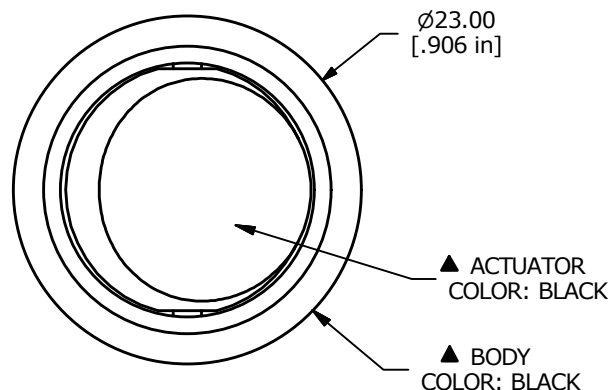
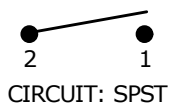


PANEL THICKNESS	(X) DIM.
0.75 TO 1.25	20.2mm
1.25 TO 2.00	20.4mm
2.00 TO 3.00	20.6mm

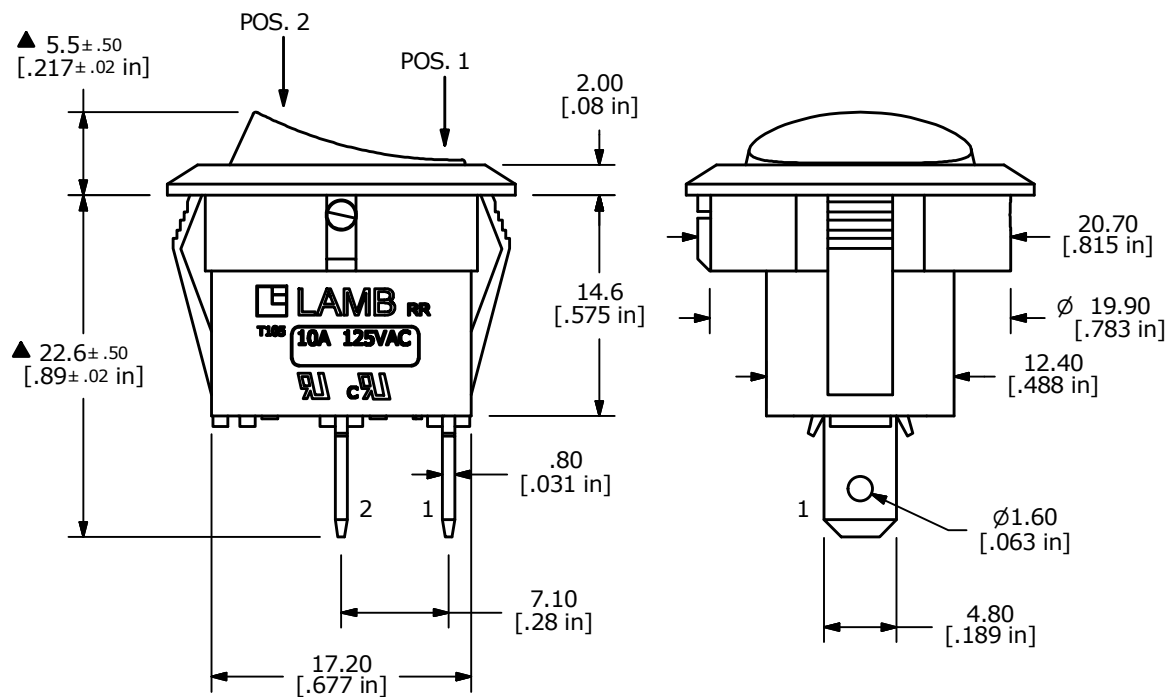
SWITCH FUNCTION	
POS. 1	POS. 2
OFF	(ON)
OPEN	2-1

(ON) = MOMENTARY



NOTE:

1. DIMENSIONS IN MM [INCH]
2. GENERAL TOLERANCE: X.X = ± 0.4
X.XX = ± 0.25
3. TERMINAL NUMBERS FOR REF ONLY
4. CONTACT MATERIAL: SILVER
- ▲ 5. CONTACT RATING: ANSI/UL 1054 CAN/USA C22.2 NO. 55 [E194579]:
10A @ 250VAC (UR, cUR)
EN 61058-1: 2002:
6(2)A 250~ μ 1E4 T125/55 [ENEC14, SEMKO]
6. CONTACT RESISTANCE: 35mΩ MAX. @ 50VAC
7. INSULATION RESISTANCE: 100MΩ MIN. @ 500VAC
8. DIELECTRIC STRENGTH: 1,500VAC FOR 1 MINUTE
9. ELECTRICAL LIFE: 6,000 CYCLES [UR, cUR]
10,000 CYCLES [ENEC14, SEMKO]
10. OPERATING TEMP.: -20°C to 105°C [UR, cUR]
-20°C to 85°C [ENEC14, SEMKO]
11. ▲ DENOTES CRITICAL PARAMETER
12. 2011/65/EU (ROHS) COMPLIANT
13. ILLUMINATION VOLTAGE: N/A



B	22555	Update Drawing	12/14/16	MW
A	21650	RELEASE FOR PRODUCTION	10/21/14	rc
REV	PCR NO	DESCRIPTION	DATE	BY

TITLE RR11431100				
SCALE	DATE	DR	DWG	REV
2:1	10/21/2014	rc	38-RR11431100	B

THE INFORMATION CONTAINED IN THIS DOCUMENT IS PROPRIETARY TO E-SWITCH AND IS NOT TO BE COPIED OR TRANSFERRED

Mouser Electronics

Authorized Distributor

Click to View Pricing, Inventory, Delivery & Lifecycle Information:

[E-Switch:](#)

[RR11431100](#)