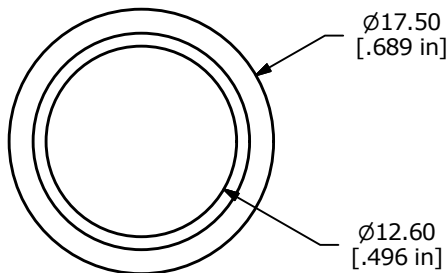
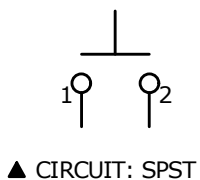


PANEL MOUNTING
MAX. PANEL THICKNESS 4mm



SWITCH FUNCTION	
POS. 1	POS. 2
OFF	(ON)
OPEN	1-2

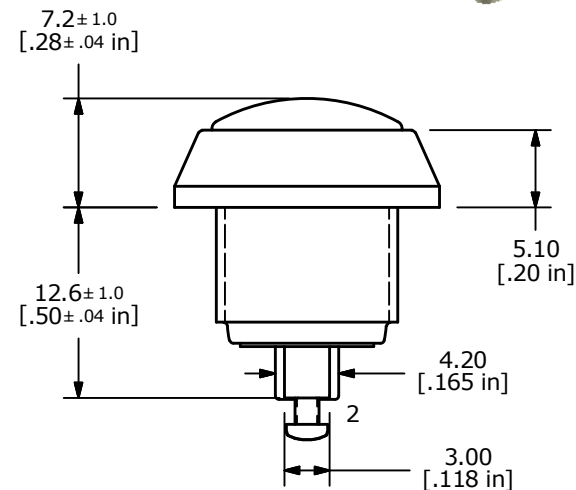
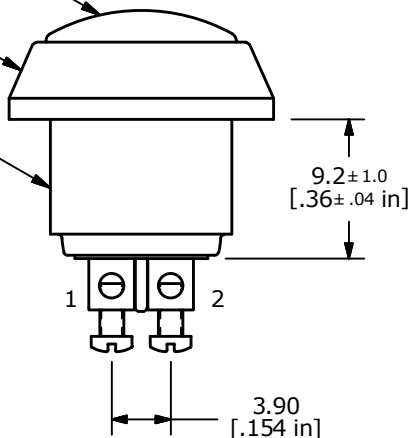
(ON) = MOMENTARY



▲ DOMED
ACTUATOR COLOR:
STAINLESS STEEL

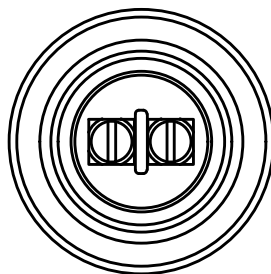
▲ BODY COLOR:
STAINLESS STEEL

M12x1.0
THREAD



NOTE:

1. ALL DIMENSIONS IN MM [INCH]
2. GENERAL TOLERANCE: X.X=±0.4
X.XX=±0.25
3. TERMINAL NUMBERS FOR REF ONLY
- ▲ 4. CONTACT MATERIAL: SILVER
5. RATING: 2A @ 36 VDC
6. ELECTRICAL LIFE: 200,000 CYCLES
7. CONTACT RESISTANCE: 50 mΩ MAX. @ 1A 12VDC (INITIAL)
8. INSULATION RESISTANCE: 1,000 MΩ MIN. @ 500VDC.
9. DIELECTRIC STRENGTH: 2,000 VAC rms.
10. OPERATING TEMPERATURE: -20°C TO +70°C.
11. PANEL THICKNESS MAX: 4.0 mm.
12. INGRESS PROTECTION: IP65
13. ▲ DENOTES CRITICAL PARAMETER.
14. 2011/65/EU (ROHS) COMPLIANT
- ▲ 15. HARDWARE INCLUDED, 1 O-RING & 1 HEX NUT.(NOT SHOWN)



B	22668	UPDATED ACTUATOR	1/9/17	MJR
A	00051	RELEASE FOR PRODUCTION	8/5/09	CAB
REV	PCR NO	DESCRIPTION	DATE	BY

TITLE PV5S640SS				
SCALE	DATE	DR	DWG	REV
2:1	8/5/2009	EBP	52-PV5S640SS	B

THE INFORMATION CONTAINED IN THIS DOCUMENT IS PROPRIETARY TO E-SWITCH AND IS NOT TO BE COPIED OR TRANSFERRED

Mouser Electronics

Authorized Distributor

Click to View Pricing, Inventory, Delivery & Lifecycle Information:

[E-Switch:](#)

[PV5S640SS](#)